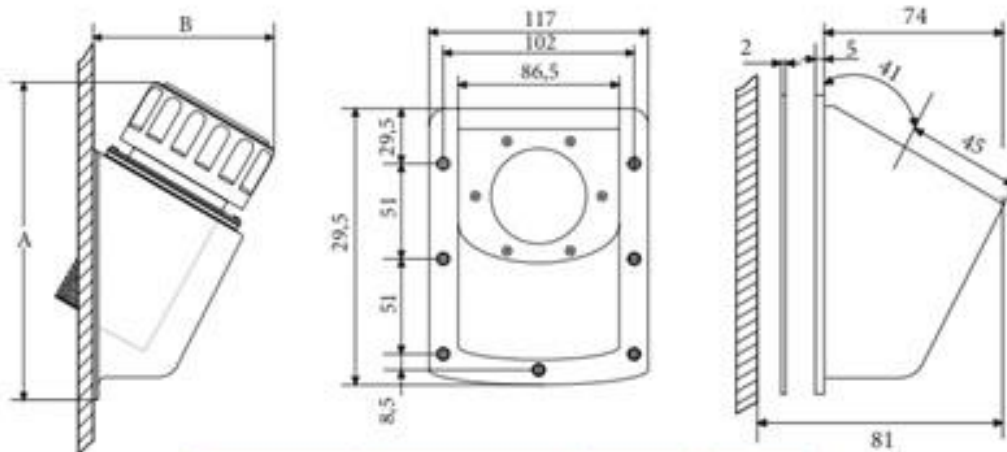


HYDRAULIC TANK ACCESSORIES

SIDE MOUNTING HYDRAULIC TANK COVER FLANGE WITH CHAIN

General Specifications

Filtration	40 micron
Filter	Nylon 66
Flow	720lpm



CODE	Description	A	B
T12-2-0017	Chain Type	180	107