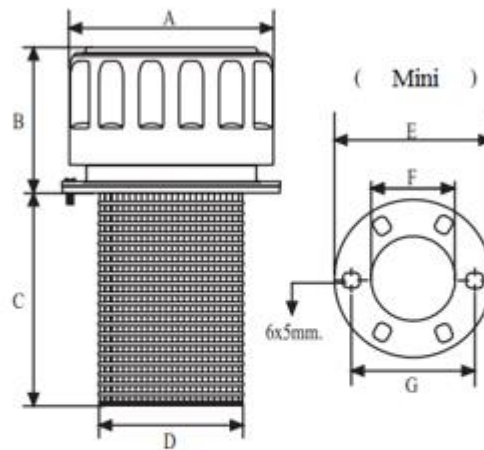


HYDRAULIC TANK ACCESSORIES

FILLER BREATHER MINI CAP 40 MICRON

General Specifications

Filtration	40 micron
Filling Filter	Nylon 66
Flow mini	150lpm
Flow Standard	720lpm



CODE	Description	A	B	C	D	E	F
T12-2-0035	Mini Clip-on / Metal Filtered	45	43	65	28	51	20