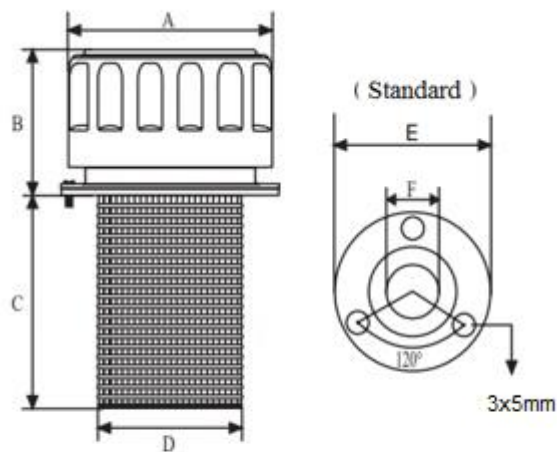


HYDRAULIC TANK ACCESSORIES

FILLER BREATHER CAP 40 MICRON WITH CHAIN

General Specifications

Filtration	40 micron
Filling Filter	Nylon 66
Flow mini	150lpm
Flow Standard	720lpm



CODE	Description	A	B	C	D	E	F	G
T12-2-0036	Chain Type / Metal Filtered	77	59	80	49	84,5	37,5	71