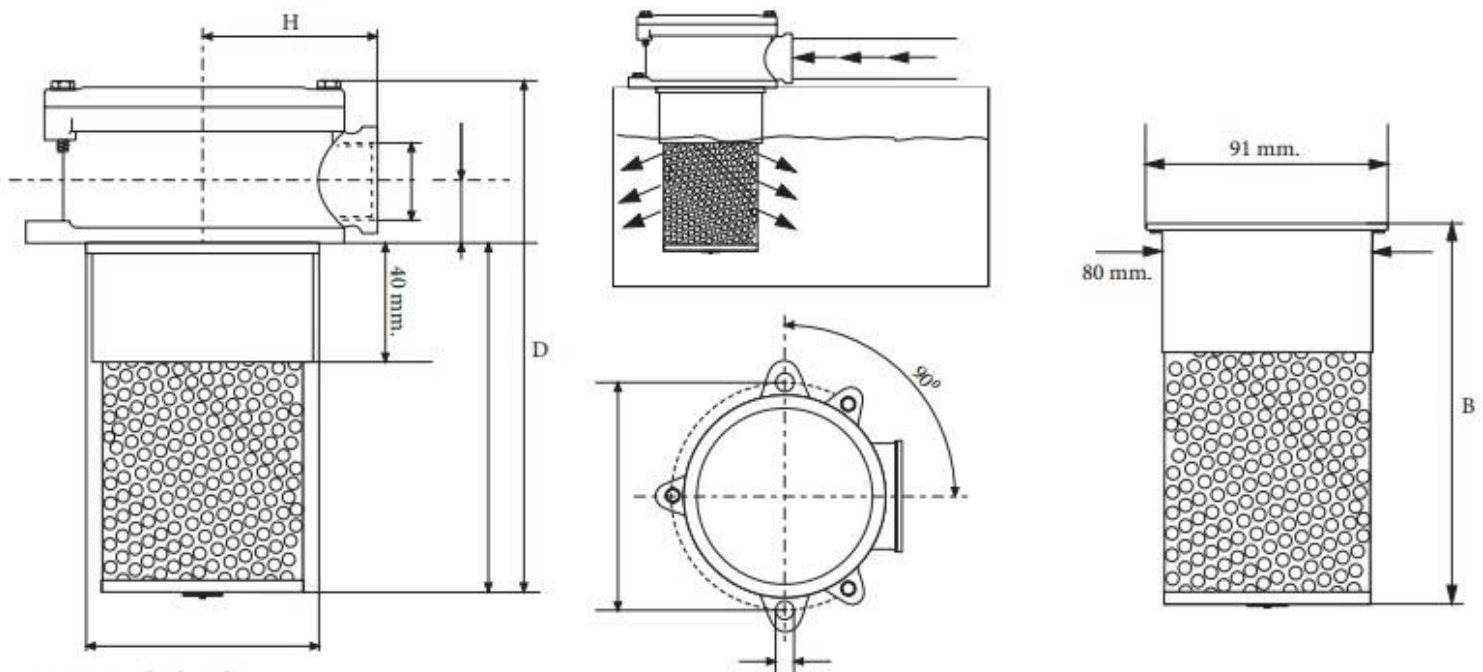


HYDRAULIC RETURN FILTERS

TANK MOUNTED RETURN FILTER 1/2" - 25 MICRON - 80LT.

Construction	Aluminium head casting, Steel Bowl (05 series Nylon 66.)
Seals	Nitril
Max. Working Pressure	10 bar
Operating Temperature	-10°C ~ +100°C
Bypass Crack Pressure	1,5bar ± 0,3 bar
Port Size	G 1/2"
Filtration	25µ
Flows	80lt/min.
Suitable Element	T12-3-3-0029 / FILTER ELEMENTS_25M_80L



DIMENSIONS

PRODUCT NUMBER	FLOW (Δp 0,25)lt/dk.	G	A	B	C	D	E	F	H	I	REPLECEMENT ELEMENT	FILTER MEDIA	FILTER AREA cm ²
T12-3-3-0017	80	1/2"	115	100	85	155	87	30	66	9	T12-3-3-0029	25µ	1320