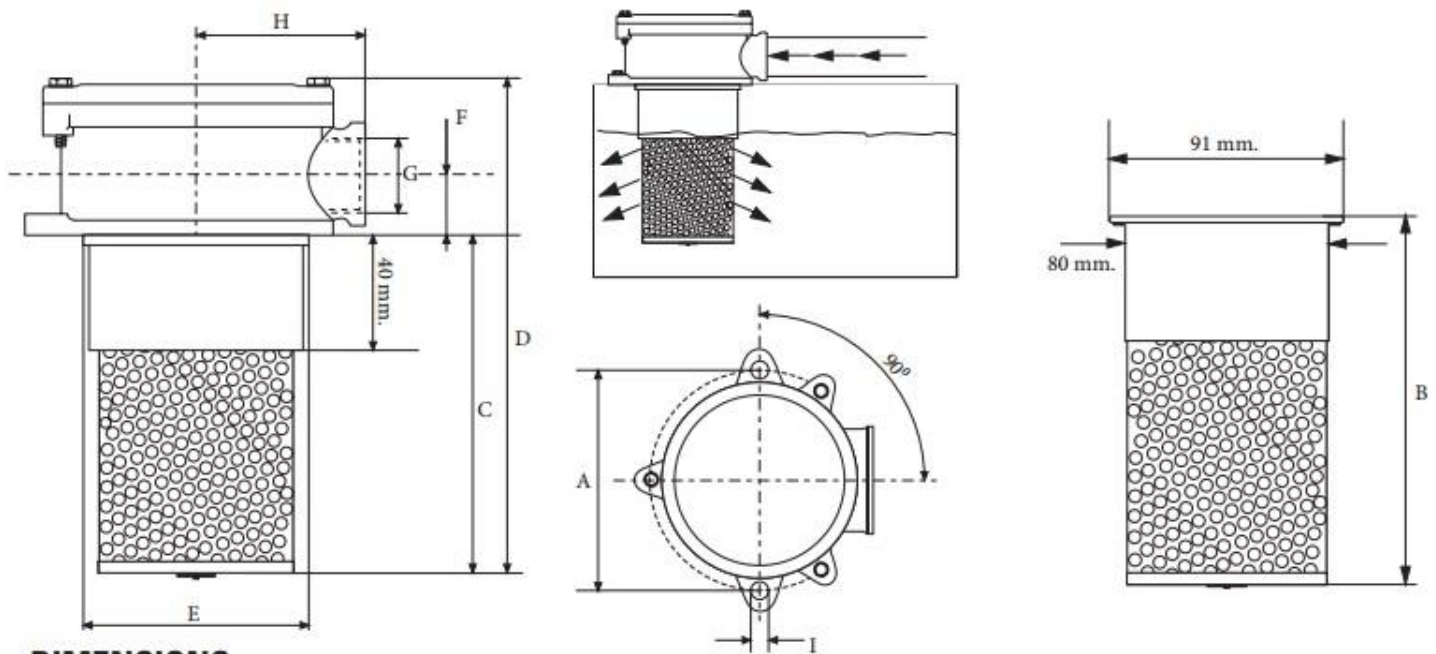


HYDRAULIC RETURN FILTERS

TANK MOUNTED RETURN FILTER 1/2" - 60 MICRON - 120LT.

Construction	Aluminium head casting, Steel Bowl (05 series Nylon 66.)
Seals	Nitril
Max. Working Pressure	10 bar
Operating Temperature	-10°C ~ +100°C
Bypass Crack Pressure	1,5bar ± 0,3 bar
Port Size	G 1/2"
Filtration	60μ
Flows	120lt/min.
Suitable Element	T12-3-3-0030 / FILTER ELEMENTS_60M_120L



DIMENSIONS

PRODUCT NUMBER	FLOW (Δp 0,25)lt/dk.	G	A	B	C	D	E	F	H	I
T12-3-3-0018	120	1/2"	115	100	85	155	87	30	66	9

REPLECEMENT ELEMENT	FILTER MEDIÀ	FILTER AREA cm ²
T12-3-3-0030	60μ	810