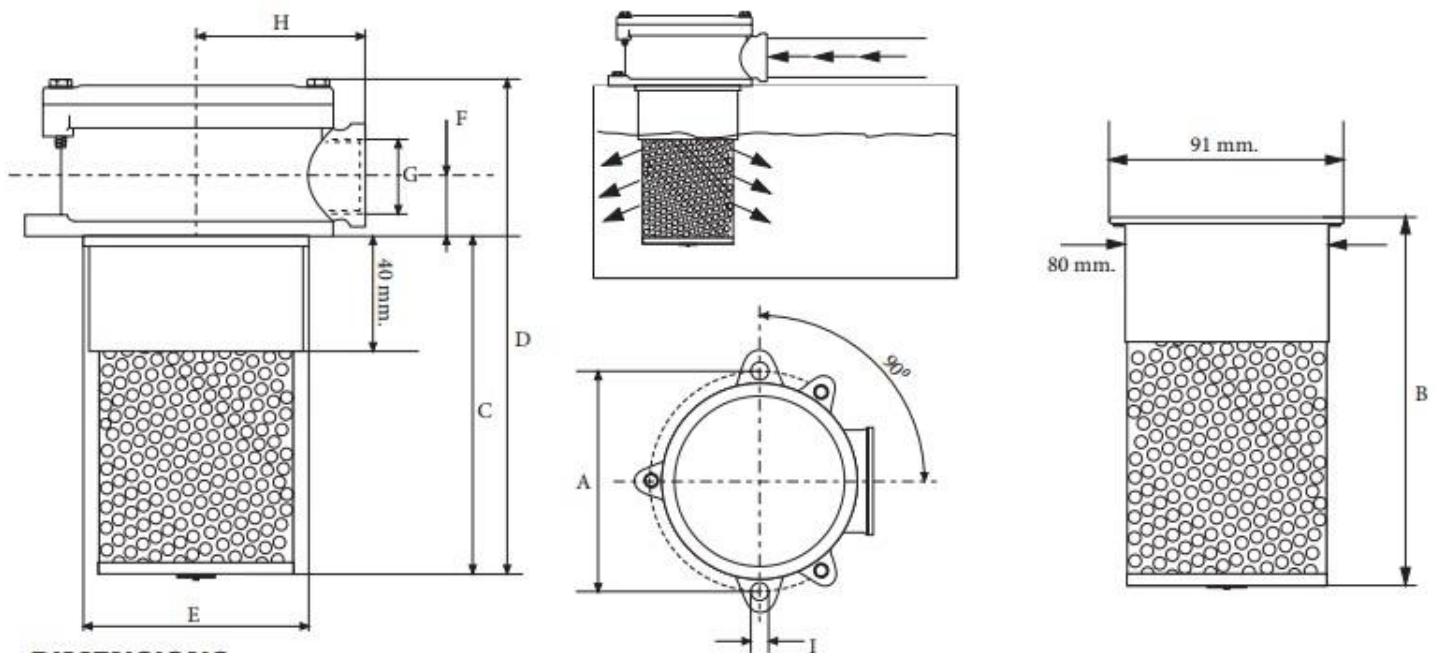


HYDRAULIC RETURN FILTERS

TANK MOUNTED RETURN FILTER 3/4" - 25 MICRON - 80LT.

| | |
|-----------------------|--|
| Construction | Aluminium head casting, Steel Bowl (05 series Nylon 66.) |
| Seals | Nitril |
| Max. Working Pressure | 10 bar |
| Operating Temperature | -10°C ~ +100°C |
| Bypass Crack Pressure | 1,5bar ± 0,3 bar |
| Port Size | G 3/4" |
| Filtration | 25µ |
| Flows | 80lt/min. |
| Suitable Element | T12-3-3-0029 / FILTER ELEMENTS_25M_80L |



DIMENSIONS

| PRODUCT NUMBER | FLOW (Δp 0,25)lt/dk. | G | A | B | C | D | E | F | H | I |
|----------------|----------------------|------|-----|-----|----|-----|----|----|----|---|
| T12-3-3-0019 | 80 | 3/4" | 115 | 100 | 85 | 155 | 87 | 30 | 66 | 9 |

| REPLECEMENT ELEMENT | FILTER MEDIA | FILTER AREA cm ² |
|---------------------|--------------|-----------------------------|
| T12-3-3-0029 | 25µ | 1320 |