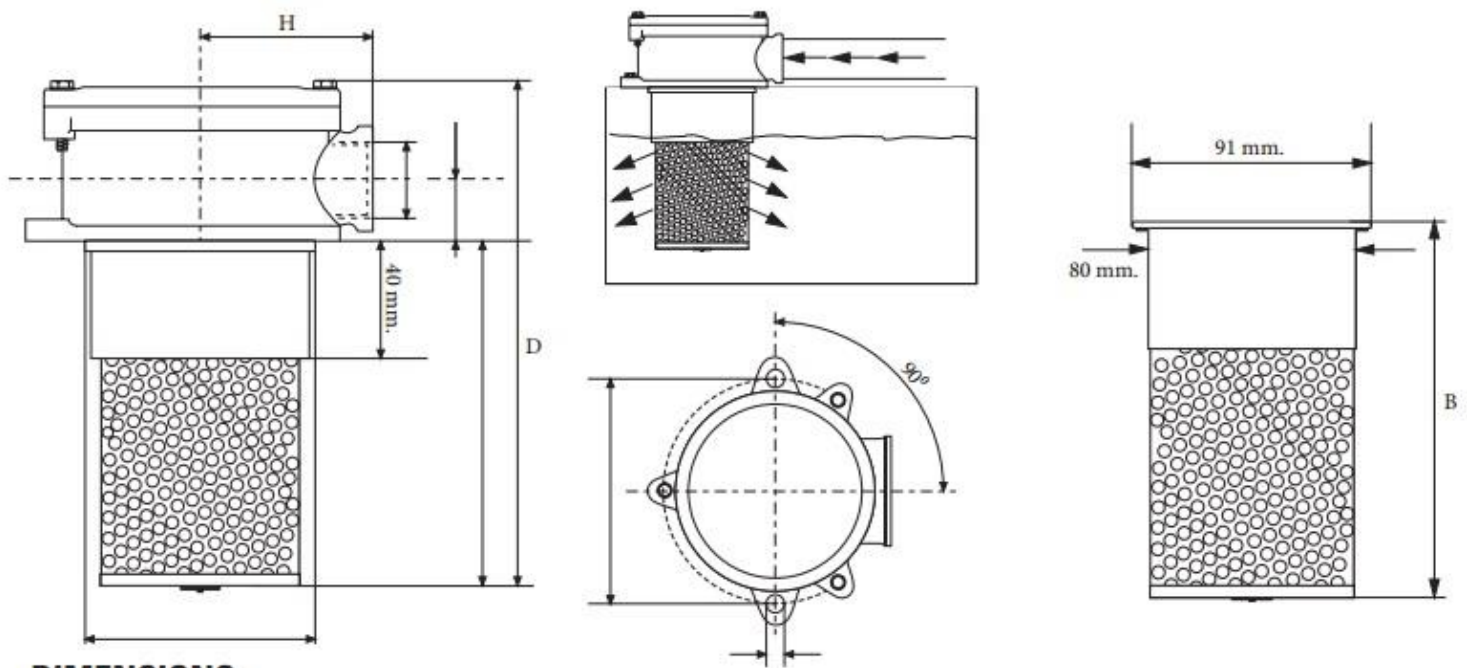


## HYDRAULIC RETURN FILTERS

### TANK MOUNTED RETURN FILTER 1" - 25 MICRON - 180LT.

Construction	Aluminium head casting, Steel Bowl (05 series Nylon 66.)
Seals	Nitril
Max. Working Pressure	10 bar
Operating Temperature	-10°C~ +100°C
Bypass Crack Pressure	1,5bar ± 0,3 bar
Port Size	G 1"
Filtration	25μ
Flows	180lt/min.
Suitable Element	T12-3-3-0037 / FILTER ELEMENTS_25M_180L



#### DIMENSIONS

PRODUCT NUMBER	FLOW ( $\Delta p$ 0,25)lt/dk.	G	A	B	C	D	E	F	H	I
T12-3-3-0027	180	1"	115	180	165	235	87	30	66	9

REPLECEMENT ELEMENT	FILTER MEDIA	FILTER AREA cm <sup>2</sup>
T12-3-3-0037	25μ	2400