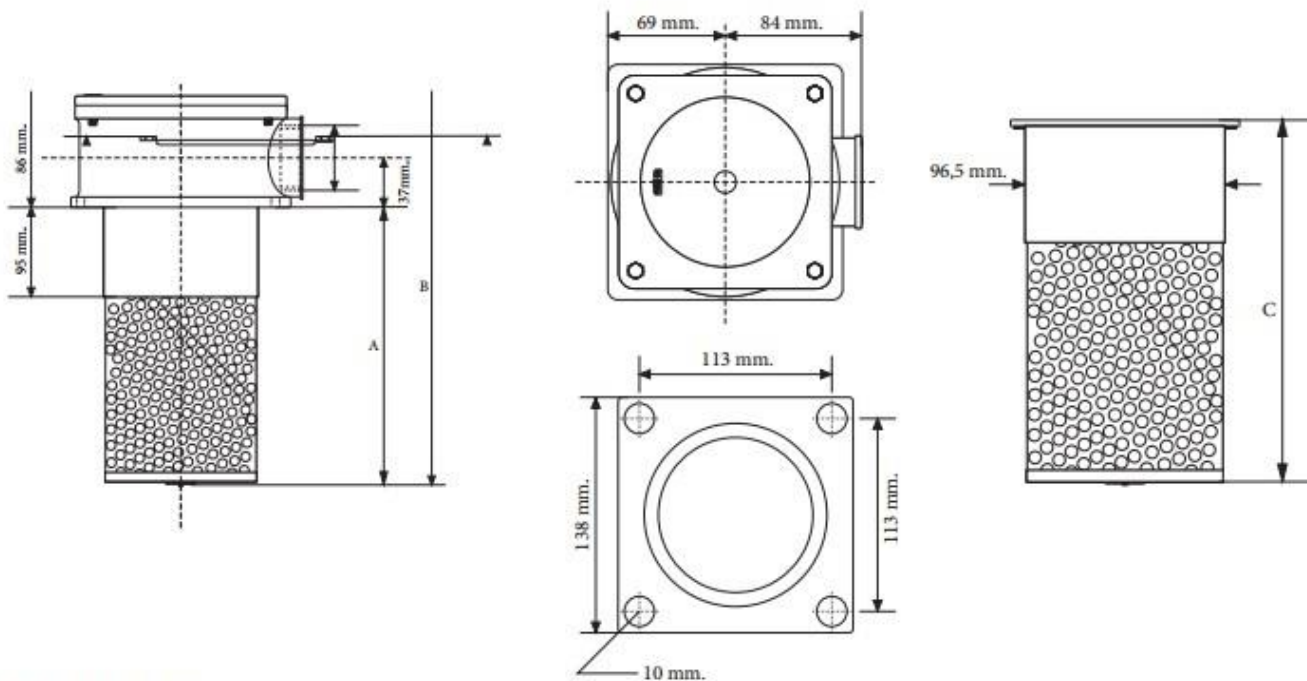


## HYDRAULIC RETURN FILTERS

### TANK MOUNTED RETURN FILTER 1 1/4" - 60 MICRON – 340LT.

Construction	Aluminium head casting, Steel Bowl (05 series Nylon 66.)
Seals	Nitril
Max. Working Pressure	10 bar
Operating Temperature	-10°C~ +100°C
Bypass Crack Pressure	1,5bar ± 0,3 bar
Port Size	G 1 1/4"
Filtration	60μ
Flows	340lt/min.
Suitable Element	T12-3-3-0052 / FILTER ELEMENTS_60M_340L



### DIMENSIONS

PRODUCT NUMBER	FLOW (Δp 0,25)lt/dk.	G	A	B	C	REPLECEMENT ELEMENT	FILTER MEDIA	FILTER AREA cm <sup>2</sup>
T12-3-3-0044	<b>340</b>	11/4"	235	321	250	T12-3-3-0052	<b>60μ</b>	<b>2250</b>