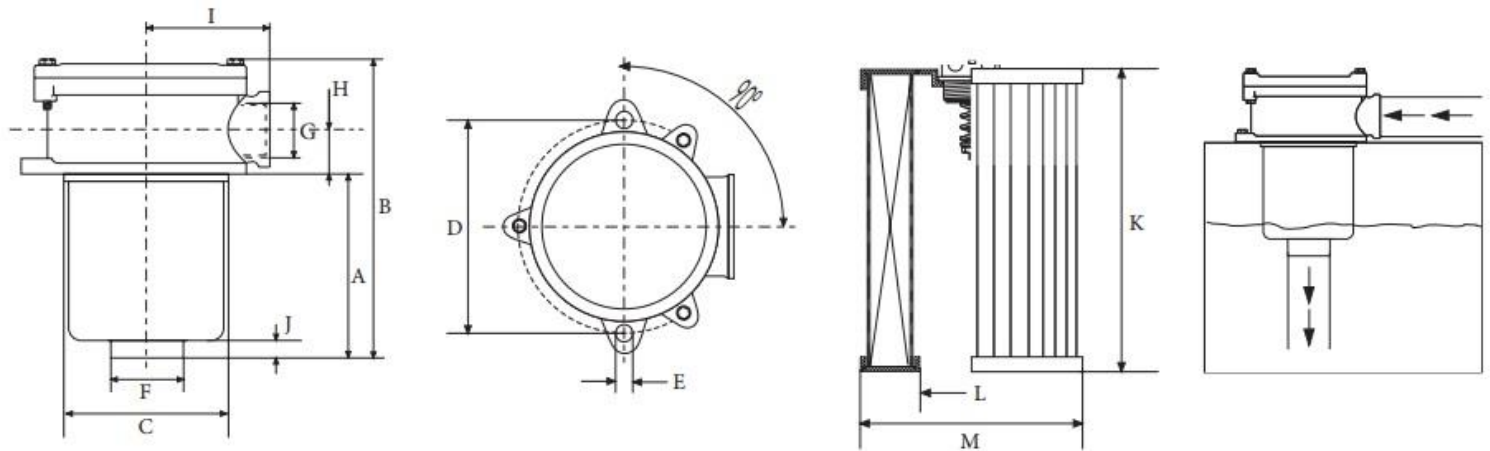


## HYDRAULIC RETURN FILTERS

### TANK MOUNTED RETURN FILTER 1" - 10 MICRON – 110LT.

|                       |  |
|-----------------------|--|
| Construction          | Aluminium head casting, Steel Bowl (05 series Nylon 66.) |
| Seals                 | Nitril   |
| Max. Working Pressure | 10 bar   |
| Operating Temperature | -10°C~ +100°C  |
| Bypass Crack Pressure | 1,5bar ± 0,3 bar   |
| Port Size             | G 1"   |
| Filtration            | 10μ  |
| Flows                 | 110lt/min.   |
| Suitable Element      | T12-3-3-0114 / FILTER ELEMENTS_10M_110L                  |



### DIMENSIONS

| PRODUCT NUMBER | FLOW ( $\Delta p$ 0,25)lt/dk. | G  | A   | B   | C  | D   | E | F  | H  | I  | J  | REPLECEMENT ELEMENT | FILTER MEDIA | K   | L  | M  | FILTER AREA cm <sup>2</sup> |
|----------------|-------------------------------|----|-----|-----|----|-----|---|----|----|----|----|---------------------|--------------|-----|----|----|-----------------------------|
| T12-3-3-0111   | 110                           | 1" | 136 | 205 | 87 | 115 | 9 | 1" | 30 | 66 | 11 | T12-3-3-0114        | 10μ          | 130 | 29 | 71 | 1780                        |