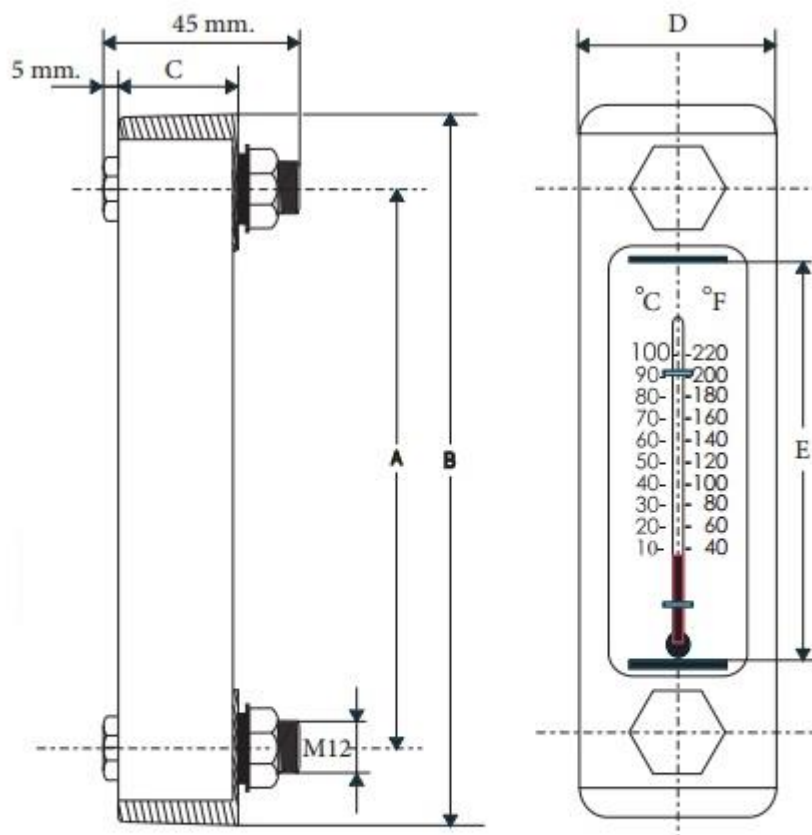


HYDRAULIC TANK ACCESSORIES

FLUID LEVEL INDICATOR WITH THERMOMETER 76MM

General Specifications

Sight Glass	Transparent Polyamide
Tube Cap	Nylon 66
Sealing	Nitrilee
Max. Working Pressure	1 Bar
Operating Temperature	-30°C – 100°C / Mineral Oil
Torque	10 Nm max.



PRODUCT NUMBER	A	B	C	D	E
T12-4-0001	76	108	20	35	37