

# ORION 12V/1.3Ah AGM BATTERY

## AGM BATTERIES



AGM (Absorbent Glass Mat) technology, high performance plates, and electrolyte are employed in the General Series Valve Regulated Lead Acid batteries' design to increase power output for common power backup system applications, which are frequently used in the UPS and Emergency Lighting System industries.

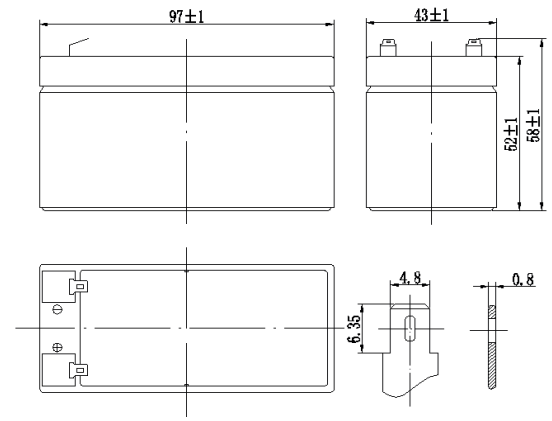


### Features

- Sealed and conservation free operation.
- Non-Spillable construction design.
- ABS holders and covers optional.
- Safety stopcock installation for explosion evidence.
- High quality and high trustability.
- Exceptional deep discharge recovery performance.
- Low tone discharge specific.
- Inflexibility design for multiple install positions.

### Applications

- Toys
- Power Tools
- Home Appliances
- Consumer Electronics
- Alarm System
- UPS
- Medical Equipment



### Technical Specification

Battery model	ORN-1213			
Designed Floating Life	3-5 Years			
Capacity (25°C)	20hR(0.065A, 10.5V)	10hR(0.127A, 10.5V)	5hR(0.22A, 10.5V)	1hR(0.86A, 9.60V)
	1.3Ah	1.27Ah	1.1Ah	0.86Ah
Dimensions	Length	Width	Height	Total Height
	97±1mm	43±1mm	52±1mm	58±1mm
Approx. weight (±5%)	0.56Kg			
Internal resistance	Full charged at 25°C: Approx. 95mOhms			
Self discharge	3% of capacity declined per month at 25°C (average)			
Capacity Affected by Temp.(20HR)	40 °C	25 °C	0 °C	-15 °C
	102%	100%	85%	65%
Charge Voltage (25°C)	Cycle use		Float use	
	14.4-15.0V(-15mV/°C), max. Current: 0.39A		13.5-13.8V(-20mV/°C)	



0(212) 320 99 84



pilsanelektronik.com.tr  
info@pilsanelektronik.com

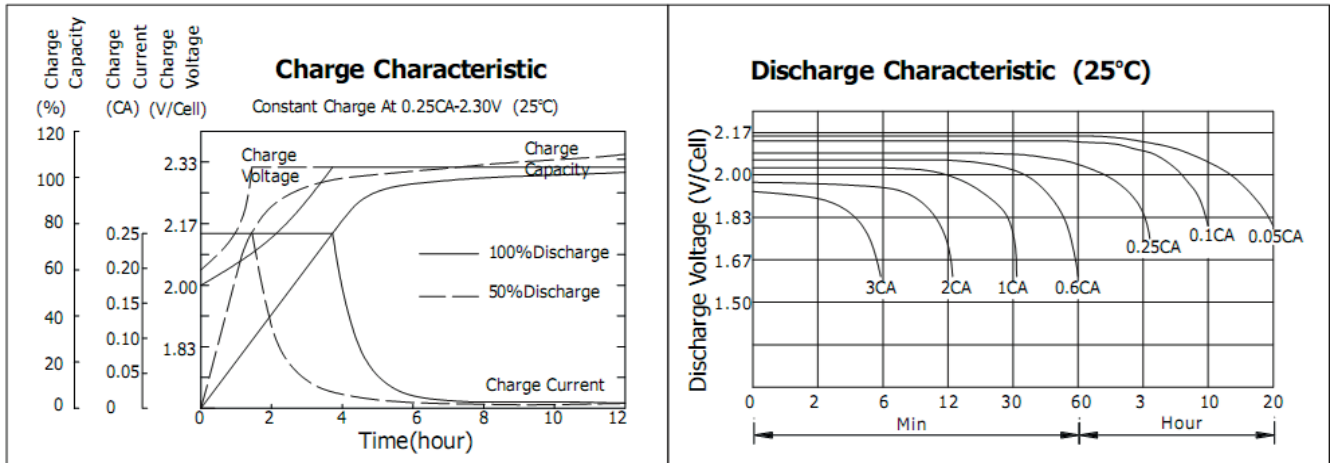


Pilsan Plaza, Esenkent Mah.  
Erzincan Cad. No:22  
Dudullu OSB Ümraniye / İstanbul

## Construction

Component	Positive plate	Negative plate	Container	Cover	Safety valve	Terminal	Separator	Electrolyte
Raw material	Lead dioxide	Lead	ABS	ABS	Rubber	Lead	Fiberglass	Sulfuric acid

## Charge / Discharge Curve



## SoC & Cycle Life

