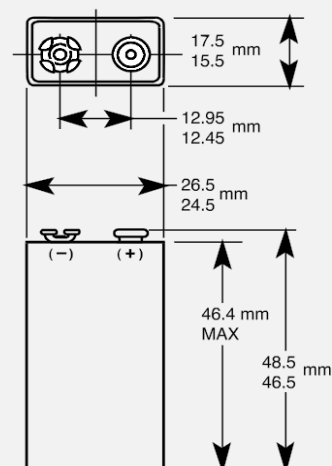


## ALKALINE-MANGANESE DIOXIDE BATTERY



Size: 9V (6LR61) PC1604



Dimensions shown are IEC standards

### KEY FEATURES

- Reliable Performance
- Excellent resistance to corrosion
- Designed to meet all major quality, safety and environmental standards:
  - Safety: IEC 60086-5
  - ANSI C 18.1M, Part-2
  - EU Battery Directive
  - Quality: ISO 14001 and 9001, Duracell World Class Continuous Improvement Program

### TYPICAL APPLICATIONS

- Carbon Monoxide Detectors
- Smoke Detectors
- Handicap Door Openers
- Medical Devices
- Microphones

### ELECTRICAL CHARACTERISTICS

- |   |          |
|---|----------|
| ▪ Nominal capacity (2 mA Cont., 5V cut-off) | 692 mAh  |
| ▪ Typical Voltage (at + 20 °C)              | 9 V      |
| ▪ AC Impedance @ 1kHz                       | 1,692 mΩ |

### PHYSICAL CHARACTERISTICS

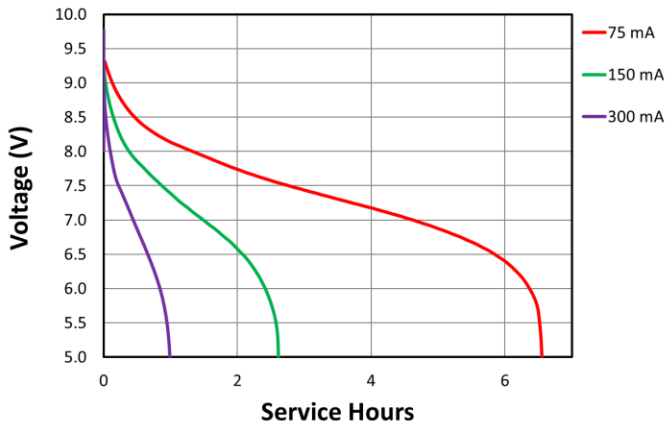
- |                  |   |
|------------------|---|
| ▪ Typical weight | 48.7 g (1.6 oz)                             |
| ▪ Typical volume | 22.8 cm <sup>3</sup> (1.4 in <sup>3</sup> ) |
| ▪ Terminals      | Miniature snap                              |

### OPERATING & STORAGE CONDITIONS

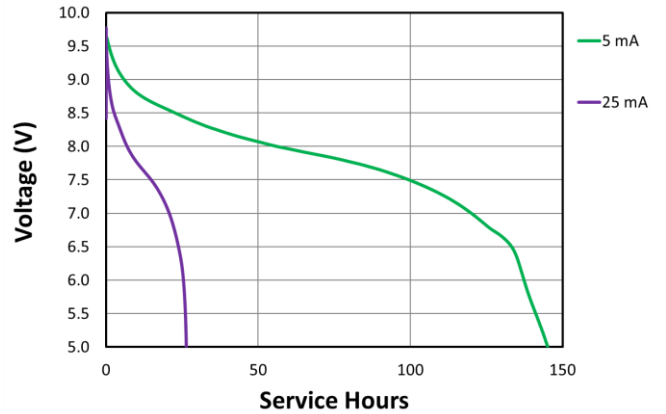
- |  |                                  |
|--|----------------------------------|
| ▪ Operating temperature range  | -20°C to 54°C<br>(-4°F to 130°F) |
| ▪ Recommended Storage (storage area should be clean, cool, dry and ventilated) | 5°C to 30°C<br>(41°F to 86°F)    |

TYPICAL PERFORMANCE

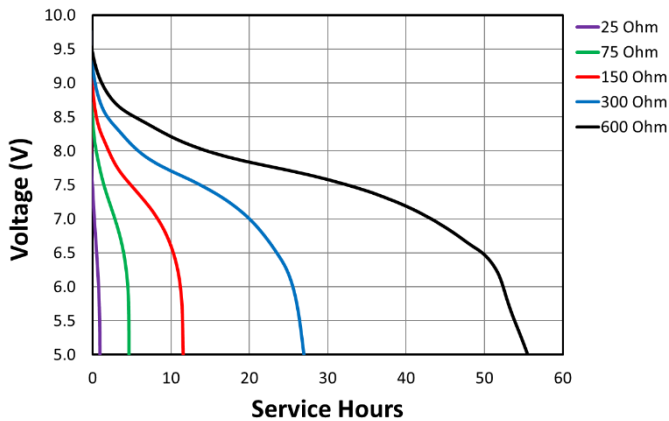
Constant Current



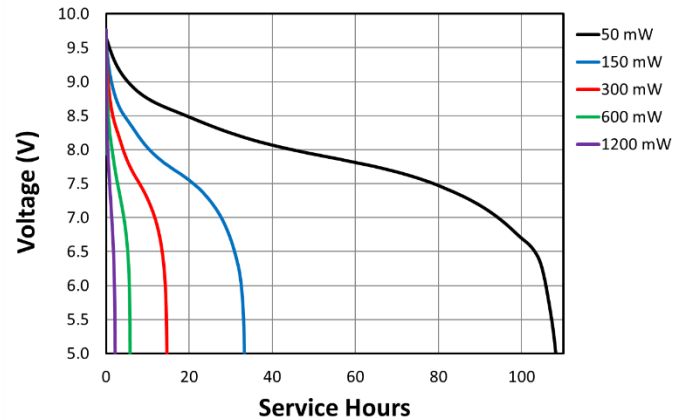
Constant Current



Constant Resistance



Constant Power



Constant Current - 75mA

