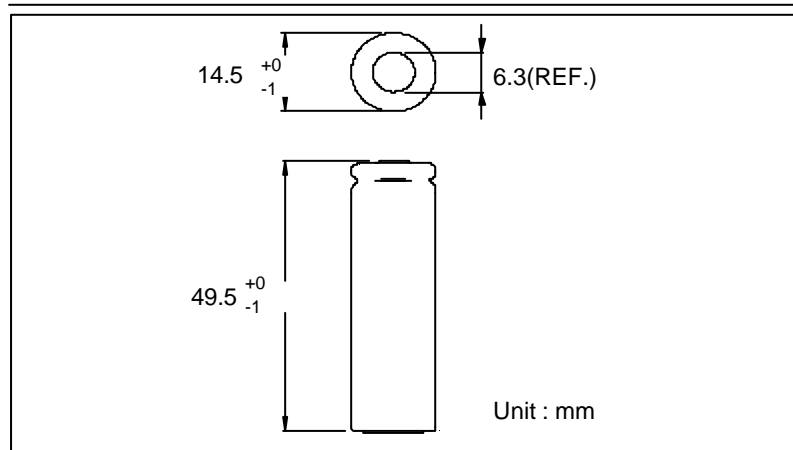


GP Batteries

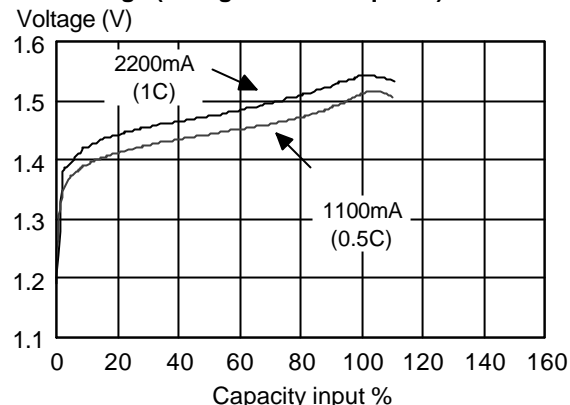
Data Sheet

Model No.: GP220AAH

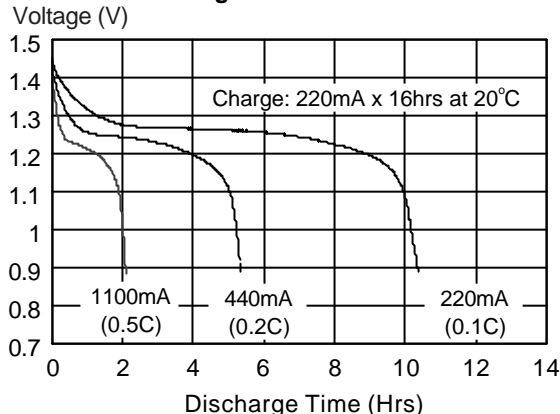
Type	Rechargeable Nickel Metal Hydride Cylindrical Cell	
Nominal Dimension (with Sleeve)	Φ = 14.5mm H = 49.5mm	
Applications	Recommended discharge current 220 to 6600mA	
Nominal Voltage	1.2V	
Capacity	Nominal: 2200mAh Minimum: 2200mAh Typical: 2250mAh when discharged at 440mA to 1.0V at 20°C	
Charging Condition	220mA for 16 hrs at 20°C	
Fast Charge	1100mA to 2200mA (0.5 to 1C) charge termination control recommended control parameters: -ΔV : 0 - 5mV DT/dt : 0.8°C/min (0.5 to 0.9C) : 0.8 - 1°C/min (1C) TCO : 45 - 50°C Timer : 105% nominal input (for ref. only)	
Service Life	>500 cycles (IEC standard) Up to 1000 cycles (not less than 60% of nominal at 0.1C charge / 0.2C discharge)	
Continuous Overcharge	220mA maximum current for 1 year No conspicuous deformation and/or leakage	
Weight	30.5g	
Internal Resistance	Average 22mΩ upon fully charged (Range 16-28mΩ) at 1000Hz	
Max. Charging Voltage	1.5V at 220mA charging	
Ambient Temperature Range	Standard Charging	0 to 45°C
	Fast Charging	10 to 45°C
	Discharging	-20 to 50°C
	Storage	-20 to 35°C



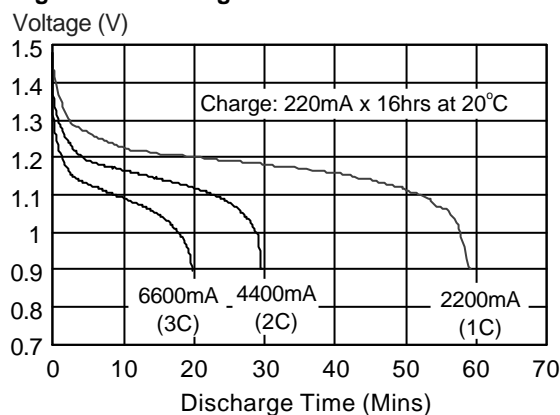
Fast Charge (Charge control required)



Low Rate Discharge



High Rate Discharge



* The information (subject to change without prior notice) contained in this document is for reference only and should not be used as a basis for product guarantee or warranty. For applications other than those described here, please consult your nearest GP Sales and Marketing Office or Distributors.