

IPC2854-FI7NB-SIR80-Z2818-TU

8.0MP HD Network IR Bullet Camera

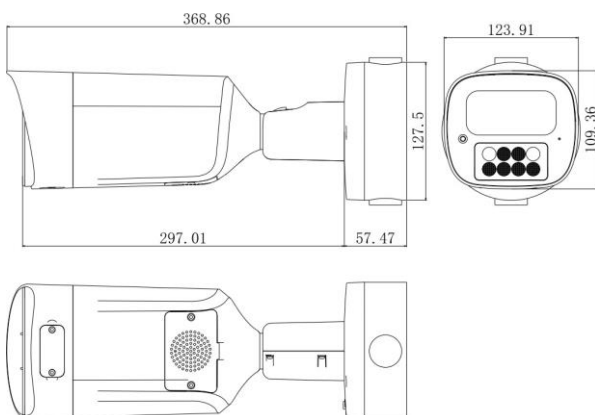


Features

- High quality image with 8MP, 1/1.8" CMOS sensor
- High definition and smooth picture, 3840 x 2160@50fps
- Smart 265, H.265, H.264, MJPEG
- ISP technology, comprehensive improvement in image quality
- AI ultra low light 3.0 technology ensures ultra high image quality in low illumination environment
- Up to 150 dB Optical WDR (Wide Dynamic Range)
- Smart intrusion prevention, support false alarm filtering, include Motion Detection, Guard Line, Entry Guard Area, Enter Guard Area, Exit Guard Area, People Gathering
- Metadata analyse, support human face and human body, motor vehicle and non-motor vehicle best capture picture selection and attribute collection, realize data visualization management, allow users to get target information for further data analysis
- Support bi-directional detection of human face and whole body, best capture picture selection, support concurrent detection number up to 100
- Support face comparison, up to 100,000 face database
- Support License Comparison, up to 100,000 license plate database
- DC12V or PoE+ (IEEE 802.3at) power supply
- Wide voltage range of $\pm 25\%$ in DC

Dimensions

Units:mm



Specifications

Camera	IPC2854-FI7NB-SIR80-Z2818-TU
Image Sensor	1/1.8" CMOS
Min. Illumination	Colour:0.0005 lux (F1.6, AGC ON) B/W:0.0001 lux (F1.6, AGC ON); 0lux with IR
Day / Night	IR cut filter with auto switch (ICR)
Shutter	Auto/Manual, 1 ~ 1/30,000s
WDR	150dB
S/N	>56dB
Lens	
Focal Length	2.8~18 mm
Optical Zoom	6X
Iris	F1.5(Wide)~F2.5(Tele)
Iris Type	P iris
Angle of View	H: 110.9°~ 35.1° V: 57.4°~19.6° D: 136.6°~ 40.9°
Illuminator	
Illumination Distance (IR)	80 m (262.4 ft)
IR On/Off Control	Auto/Manual
Wavelength	850 nm
Video	
Streams	Main stream: 8MP(3840*2160) Second: 2MP(1920*1080) Third: 2MP(1920*1080) Fourth: 2MP(1920*1080) Fifth: D1(704*576)
Max Frame Rate	8MP(3840*2160), Max 50fps
Frame Rate Recommendation	3840*2160@30fps+1080P@30fps+D1@30fps
Video Compression	Smart265; H.265; H.264; MJPEG
Video Bit Rate	32 Kbps ~ 16 Mbps
ROI	Support
Privacy Mask	Up to 4 areas
OSD	Up to 9 OSDs
Image	
EIS	Support, EIS with Gyroscope
White Balance	Support
Digital Noise Reduction	2D/3D DNR
Smart IR	Support
Defog	Digital Defog
Flip	Flip / Mirror / Rotation 90°, 180°, 270°
HLC / BLC	Support / Fixed BLC
Recognitive Functions	
Target Detection	Person, Face, Vehicle, Up to 100 human simultaneously
Human Captured Picture	Person, Face, Built-in picture comparison algorithm, best picture selection
Human Recognition	Human silhouette attributes: gender, top/bottom type and color, bag, hat and umbrella, etc. Face attributes: gender, age, expressions, glasses, face mask and beard, etc.
Face Comparison	Support face comparison, up to 100,000 face database
People Counting	Support bi-directional people counting
Face Enhancement	Face Intelligence Exposure
Vehicle Captured Picture	Vehicle body
Vehicle Recognition	License plate, color, type and etc
License Comparison	Support LPR comparison, up to 100,000 license plate database
Alarm	
Alarm Triggers	Alarm input / Network disconnect / Disk full / Disk error
Basic Intelligent	Tampering / Defocus / Scene change / Object left / Object removal / Audio surge
Deep Learning Intelligent	Human & Vehicle Detection: Motion detection / Guard line / Enter guard area / Exit guard area / People Gathering
Alarm Events	Alarm report / Recording / Text overlay / Snapshot / External output / Email notice / Acoustic alarm
Audio	
Audio Compression	G.711a / G.711u / ADPCM / G.722
Audio Bitrate	32kbps ~ 64kbps
Audio Function	Bi-directional audio / AEC / Mixed audio recording / Dumb / Mute
Storage	
Edge Storage	Micro SD, up to 1 TB
Network Storage	ANR
Network	
Protocols	TCP/IP, UDP, HTTP, DHCP, DDNS, RTP/RTCP, RTSP, PPPoE, FTP, PnP, NAT, SMTP, RTMP, IPv4, IPv6
Compatible Integration	ONVIF (Profile S, Profile G, Profile T); API;CGI;SDK
User/Host	Max. 25 Users
Client	IPCSearch;vClientPro;vPlayer
Interfaces	
Audio I/O	1/1
Alarm I/O	3/2
Serial Port	1 channel RS485 interface
Built-in Mic	Support, built in mic*1
Built-in Speaker	Support
Port	12 VDC power output (for connect external mic)
Network	1 * RJ45 10M/100M/1000M Base TX Ethernet
Optical port	1 x FC 10M/100M/1000M
Certification	
Protection	IP67, IK10
Interfaces	
Power	DC12V($\pm 25\%$), PoE+ (IEEE 802.3at)
Power Consumption	16W
Power Interface	Ø 5.5 mm coaxial power plug
Dimensions	369mm(L)*124mm(W)*128mm(H)
Weight	2.5kg
Heat	Support
Working Environment	-50 °C ~ 60 °C (-58 °F ~ 140 °F), Humidity: $\leq 95\%$ RH (non condensing)
Surge Protection	6KV
Reset Button	Support
Heater	Support
Junction box	Support