

# IPC545-T362-NL5-R4225Z-TU

## 4.0MP Multi-spectral Heavy-duty Side-mount PTZ Network Camera



### Features

- 1/1.8" 4MP star-light ultra-low illumination image sensor
- H.265/H.264/MJPEG video encoding, 2688×1520 @ 25fps HD real-time video
- 62x high-performance motorized zoom lens, optical image stabilization and optical fog-penetration (fog elimination)
- 12 μm vanadium oxide non-cooled thermal imaging detector, effective pixels 1280×1024
- Supports laser fill light, camera and laser light synchronized matching algorithm, illumination range up to 7 km
- Supports optical fog-penetration, optical image stabilization, ultra-wide dynamic, backlight compensation, strong light suppression, 3D denoising and other image enhancement functions
- Supports moving detection, tripwire, area intrusion and other video analytics intelligent alarm features
- Pan-tilt uses a backlash-free worm-gear drive structure, with multiple protections, resistant to strong winds, smooth and reliable operation
- Pan-tilt adopts a high-precision servo system, maintenance-free, accuracy up to 0.003°
- Pan-tilt supports radar-triggered tracking, pan-tilt rotation speed class 65535, speed resolution better than 0.01°/s
- Supports data collection of latitude/longitude, azimuth, and other information
- Supports zoom ratio scaling function, rotation speed can be automatically adjusted according to lens zoom factor
- TVS 6000V lightning, surge, and transient protection, conforming to GB/T17626.5 Class 4 standard
- Corrosion resistant: ASTM B117/ISO 9227 (2000 hours) compliant with shipping/classification society standards
- IP66 waterproof and dustproof rating
- Complies with GB/T 28181-2016 and GB 35114-2017 related standards
- Primarily applied in venues requiring wide-area surveillance in dark or light-interfered environments with broad-angle monitoring, such as forests, border and coastal defense, grasslands, ports, military facilities, and other key sites demanding large-area surveillance.

### Specifications

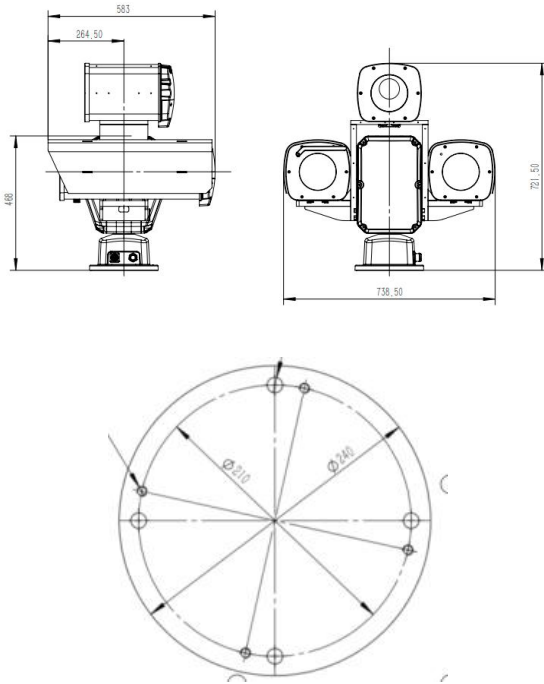
Model	IPC545-T362-NL5-R4225Z-TU
<b>Visible light camera</b>	
Sensor	1/1.8" 4MP progressive scan CMOS
Resolution	<b>Main stream:</b> 50Hz: 25fps (2688×1520, 1920×1080, 1280×720) 60Hz: 30fps (2688×1520, 1920×1080, 1280×720) 60Hz: 30fps (2688×1520, 1920×1080, 1280×720)
	<b>Sub stream:</b> 50Hz: 25fps (1920×1080, 1280×720, 704×576, 352×288) 60Hz: 30fps (1920×1080, 1280×720, 704×480, 352×240)
Minimum illumination	Color: 0.005 Lux @ (F1.2, AGC ON) Black and white: 0.0005Lux @ (F1.2, AGC ON), 0Lux laser on
Signal-to-noise ratio	≥57dB
WDR	Support
Day and night mode	ICR color to black Manual and Automatic
Shutter	1~1/30,000s
White Balance	Automatic/Manual/Tracking/Outdoor/Indoor/Outdoor Automatic
Image enhancement	Optical defogging, digital defogging, ultra-wide dynamic range, optical image stabilization, electronic defogging, strong light suppression, 3D noise reduction, etc.
Image Adjustment	Brightness, contrast, saturation, sharpness adjustment, support corridor mode, mirroring
Video Encoding	H.265(MP)/H.264(HP/MP/BP)/MJPEG/JPEG
Audio encoding	PCMA (G.711a)/PCMU (G.711mu)/PCM/AAC/MPEG2-Layer2
Storage function	1 × TF card, maximum support 256G
Network Protocol	TCP/IP, UDP, ICMP, HTTP, HTTPS, FTP, DHCP, DNS, RTP, RTSP, RTCP.
Interconnection Protocol	ONVIF, SDK, National standard (GB/T 28181-2011), CGI
Simultaneous live view channels	20
User management	Up to 20 users at 2 levels (Administrator and User)
Browser	Internet Explorer, Edge, Google Chrome, Mozilla Firefox
<b>Smart Functions</b>	
Fire detection	Support
Zoom matching	Support
Smart alarm	Network connection loss, IP address conflict, memory error, unauthorized access, abnormal temperature and combustion warning
Smart detection	Intelligent video analysis, guardline, boundary crossing, illegal intrusion
Alarm linkag	Record / Snapshot / Send Email / PTZ Matching / Alarm Output
<b>Visible light lens</b>	
Focal length	f= 6~336mm, 62x optical zoom, supports optical fog penetration
Aperture	P-iris automatic aperture, F2.8~6.5
Horizontal field of view	29.1°~0.5° (wide angle-close-up)
Vertical field of view	18.1°~0.3° (wide angle-close-up)
Optical image stabilization	support
Optical fog penetration	support
Minimum object distance	5m
Focus Mode	Auto/Manual/One-time Auto
<b>Thermal imaging camera</b>	
Sensor type	VOx uncooled FPA detector
Resolution	<b>Main stream:</b> 60Hz: 30fps (1280×1024, 800×600, 640×512) F1.09 ~ F1.5 <b>Sub stream:</b> 50Hz: 25fps (640×512, 384×288)
Pixel pitch	12μm
Spectral range	8-14μm
Detection frame rate	50Hz
Thermal imaging lens	25-225 mm motorized zoom, field of view: 3.9° × 3.1° ~ 34.2° × 27.6°
Noise Equivalent Temperature Difference (NETD)	40mK (@25°C, F#1.0, 0.25Hz)
Color Palette	Black hot/white hot and other pseudo colors, selectable 20 modes
Focus mode	Auto/Manual/One-time Auto
Spatial resolution	0.053~0.480 mrad

# IPC545-T362-NL5-R4225Z-TU

## 4.0MP Multi-spectral Heavy-duty Side-mount PTZ Network Camera

### Dimensions

Units:mm



### Specifications

PTZ	
Drivetrain	Backlash-free worm gear structure, self-locking when power off, wind and earthquake resistant
Horizontal range	360° continuous rotation
Horizontal speed	0.01°~ 60°/s
Vertical range	-60° ~+60°
Tilt speed	0.01°~ 15°/s
Precision control	Servo PTZ system, maintenance-free and maintains 0.003° control accuracy
Proportional zoom	support
Number of preset	256
Preset cruise	8 articles
Power off memory	support
Overwatch function	support
3D positioning	support
Angle return	support
Precise positioning	support
PTZ limit	support
Scan mode	Preset / Tour / Patrol Scan / Linear Scan / Pattern
wipers	support
Remote power off and restart	support
Laser Light	
Laser wavelength	808nm
Power	20W
Laser distance	7km
Laser Range Finder	7km
Laser Angle	0.3°~40°, the camera and laser light angles change synchronously
Laser adjustment	Equipped with electric adjustment mechanism, which can remotely correct the laser centering
Smart Features	
Smart Events	Cordon, area intrusion, area entry, area exit, crowd gathering, items left behind, items taken away, etc.
External Interface	
Power supply interface	1×DC48V ± %15
Network interface	1 × RJ45 10M/100M Ethernet port
Audio Interface	1 × audio input, 1 × audio output
Alarm interface	7× alarm input, 2× alarm output
Serial port interface	1 × RS485
Other interfaces	1 × Beidou/GPS positioning antenna
Operating Environment	
Working temperature	-40 °C ~70 °C
Working environment humidity	10% to 95%
Protection level	IP66, TVS 6000V lightning protection, surge protection, and surge protection, in compliance with GB/T17626.5 Level 4 standard
Power supply parameters	Power supply voltage: DC48V, power consumption: standby power consumption 80W; maximum power consumption 210W
Physical properties	
Weight	70kg
Physical dimensions	746 mm ×748 mm ×437mm (W×H×L)
Appearance color	White/khaki
Installation	For seat installation, a stable installation platform is required.