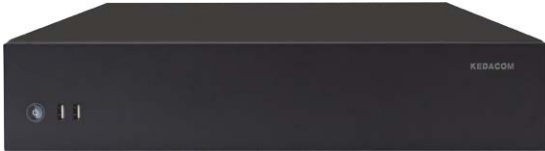


NVR1821-08032B

8 Bay Professional Network Video Recorder



Features

High-performance, High-capacity

- H.265 supported
- 4 x 4K@30fps / 16 x 1080p@30fps video decoding capability
- Up to 32 channels
- Up to 320Mbps incoming bandwidth
- 256Mbps output bandwidth
- 64 user access simultaneously
- Max. 8 HDDs up to 64TB storage
- e-SATA storage supported

Easy to install

- Automatic network organizing
- Built-in DHCP server

High reliability

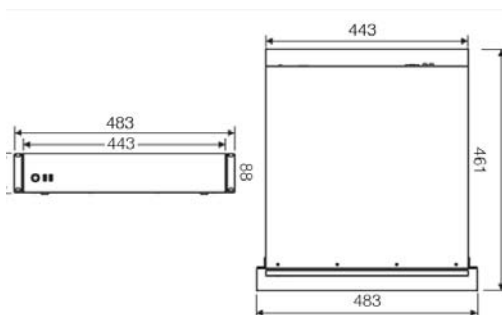
- Embedded Linux
- Low power consumption
- Supports Automatic Network Replenishment (ANR)
- Supports Packet Loss Recovery (PLR)
- N+1 Hot Backup

Abundant functions and features

- HDMI/VGA simultaneously output different content
- E-Map, TV-Wall supported
- Bi-directional audio, Broadcasting
- NAT, Socks5
- Alarm management
- Free CMS (NVR Station), supports 128 NVR simultaneously
- CMS supports 6 screens simultaneously (4 x Live viewing, 1 x E-Map, 1 x TV-Wall)

Dimensions

Units:mm



Specifications

NVR1821-08032B	
Video/Audio Input	32 channel
IP Camera Input	12MP, 8MP(4K), 6MP, 5MP, 4MP, 3MP, 1080p, UXGA, 960p, 720p, XGA, SVGA, D1, CIF, OCIF
Resolution	12MP, 8MP(4K), 6MP, 5MP, 4MP, 3MP, 1080p, UXGA, 960p, 720p, XGA, SVGA, D1, CIF, OCIF
Compression	H.265 / H.264
Protocols	Onvif, RTSP, KEDACOM
Bitrate	64kbps ~ 16384kbps
Incoming Bandwidth	320Mbps
Live Viewing	
Local Display	1 x HDMI, 1 x VGA, simultaneously output different content
Multi Screen Display Local monitor (Main / Secondary):	1, 3, 4, 9, 15, 16, 25, 36, 1+4, 1+8, 1+9, 1+15, 1/1, 2/1, 4/1, 9/1, 15/1, 16/1, 36/1, 1+4/1, 1+8/1, 1+9/1, 1+15/1, 4/9, 9/4, 9/9, 16/16
Multi Screen Display Client	up to 4 screens simultaneously: 1, 3, 4, 9, 12, 16, 20, 25, 30, 36, 42, 49, 56, 63, 64 1+5, 1+7, 1+8, 1+9, 1+11, 1+12, 1+13, 1+15, 1+16, 1+33, 1+47, 1+48
E-Map Function	Live Viewing in E-Map (NVR Station)
Recording	E-PTZ / Scheme / Polling / TV-Wall (optional with decoder) / Virtual channel
Recording	
Resolution	12MP, 8MP(4K), 6MP, 5MP, 4MP, 3MP, 1080p, UXGA, 960p, 720p, XGA, SVGA, D1, CIF, OCIF
Mode	Manual / Continuous / Schedule / Event (Pre / Post)
Event Trigger	Supported
Tag	Supported
Reliability	Automatic Network Replenishment (ANR)
Unicast	Supported
Multicast	Supported
Search & Playback	
Search Mode	Date and time (Calendar) / Event
Resolution	12MP, 8MP(4K), 6MP, 5MP, 4MP, 3MP, 1080p, UXGA, 960p, 720p, XGA, SVGA, D1, CIF, OCIF
Playback (Local Monitor)	4 x 4K@30fps / 16 x 1080p@30fps
Playback (Client)	up to 16 x 4K@30fps
Synchronize Playback (Local Monitor)	4 x 4K@30fps / 16 x 1080p@30fps
Synchronize Playback (Client)	4 x 4K@30fps
Function	Slow forward / Fast forward / Loop / Single frame / E-PTZ / Slice playback
Storage	
Max. Internal HDDs	8 x 3.5" HDD
RAID	Max. 64TB (up to 8TB/each) RAID 0/1/5/6/10
External	IP SAN (SCSI), up to 10 x IP SAN, Max. 100T (optional) e-SATA
Function	Disk group / Quota / Disk dormancy
Audio	
Compression	G.711a / G.711u / ADPCM / G.722 / G.722.1c / AAC-LC
Bit rate	32kbps ~ 64kbps
Audio Function	Bi-directional audio / Dumb / Mute / Broadcasting
Alarm	
Service Alarm Triggers	Alarm input / Video lost / Motion detection / Tampering / Guard line / Defocus / Sence change / Enter guard area / Exit guard area / Object left / Object removal / Gathering / Audio surge
System Alarm Triggers	Device disconnected / No disk / Disk error / IP Address conflict / Network disconnected / Low speed / Insufficient recording space / MAC address conflict / Insufficient snapshot space
Alarm Events	Snapshot / Recording / PTZ preset / Buzzer / Email / Link to Client / Alarm caption / Live view in first window / Link to TV Wall / Link to secondary screen / Full screen viewing
System	
Operating System	Embedded Linux
User Management	Admin / User
Log Management	User login / User operation / Alarm / Backup / Update
Application Programming	NVR Station SDK
Network	
Network Protocols	TCP/IP, UDP, HTTP, HTTPS, DHCP, DNS/DDNS, RTP/RTCP, RTSP, PPPoE, FTP, VSIP, UPnP, 802.1x, NAT, QoS, SSH, NTP, SNMP, IGMP, SMTP, Unicast, Multicast, IPv4, IPv6 (optional)
Viewer Software	CMS (NVR Station) / Web / iOS app / Android app
Max. User Access	64 Users
Output Bandwidth	256Mbps
Function	NAT / Socks5 / Multiple network access / Packet loss recovery / Auto network organizing
Network Test	Supported
Hot Backup	N+1
Interfaces	
Ethernet	2 x Gigabite network port RJ45 interface
Network Operation Mode	Network fault tolerance & Multiple address selection
Video Out	1 x HDMI (up to 3840 x 2160@60Hz) 1 x VGA (up to 1920 x 1080@60Hz)
Audio In / Out	1 x RCA Line in / 1 x RCA Line out
Alarm In / Out	2 x Inputs / 2 x Outputs
Control	2 x RS485
USB	2 x USB 2.0 1x USB3.0
e-SATA	1 x e-SATA
Environmental	
Operating Temperature	-10°C ~ 55°C / 14°F ~ 131°F
Operating Humidity	10% ~ 90%
Electrical	
Power	100 ~ 240V AC, 50 ~ 60Hz
Power Consumption	Max. 15W (HDD not included)
Mechanical	
Weight	7.6kg / 16.72lb (HDD not included)
Dimensions	443 x 461 x 88mm / 17.44" x 18.15" x 3.46"
Standard	CE, FCC, EMC, LVD