

4MP Cube Wi-Fi Camera

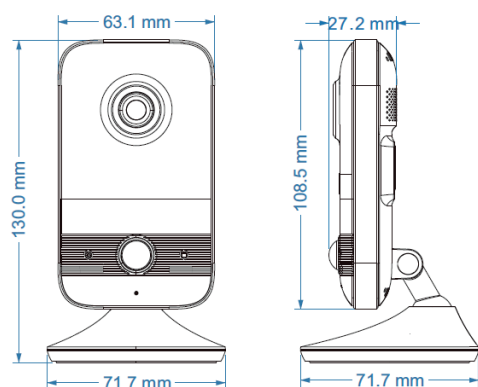


Produced by **TVT**

FEATURES

- Max. resolution: 4MP (2560×1440)
- ICR auto switch, true day/night
- 0.3-10m IR night view distance
- 3D DNR, BLC, HLC, etc.
- Support dual streams
- Support 2.4G Wi-Fi
- Support mobile app for remote management and viewing of devices
- DC12V/PoE power supply
- Support P2P

DIMENSIONS



4MP Cube Wi-Fi Camera**SPECIFICATIONS**

Model	SP-C14
Camera	
Image Sensor	1/3" Progressive Scan CMOS
Image Size	2560×1440
Electronic Shutter	1/3 s ~ 1/100000s
IRIS Type	Fixed IRIS
MIN. Illumination	Color: 0.0035lux@F1.2,AGC ON; B&W: 0 lux with IR
Lens	2.1mm @F2.1; horizontal field of view: 137°
Lens Mount	M12
WDR	78dB
BLC	Yes
HLC	Yes
Defog	No
DNR	2D/3D NR
Angle Adjustment	Pan: 0°~230°; Tilt: 0°~71°; Rotate: 0°~360°
Image	
Video Compression	Main stream: H.265+/ H.265/H.264+/H.264 Sub stream: H.265+/ H.265/H.264+/H.264/MJPEG
H.264 Compression Standard	Baseline Profile/Main Profile/High Profile
Bit rate Type	VBR/CBR
Bit Rate	64Kbps ~ 6Mbps
Resolution	4MP (2560×1440), 3MP (2304×1296), 1080P (1920×1080), 720P(1280×720), D1, VGA (640×480), 640×360, 480×240, CIF
Main Stream	4MP/3MP/1080P/720P (60Hz:1~30fps; 50Hz: 1~25fps)
Sub Stream	720P/D1/VGA/640×360/480×240/CIF (60Hz:1~30fps; 50Hz: 1~25fps)
Image Setting	Saturation, hue, brightness, contrast, wide dynamic range, sharpness, NR, image flip, etc., adjustable through client or web browser
Audio Compression	G711A/U
Region of Interest	8 regions of interest; each region can be configured separately
APP/Cloud	
WIFI Configuration	Configure Wi-Fi network by scanning the QR Code
Snapshot	Yes
Record	Yes
Two-way Audio	Yes
Listen	Yes
Storage	SD card storage
Playback	SD card storage
Sharing Device	Support sharing with friends
Interface	
Network Interface	100M RJ45
Audio	Built-in MIC×1, built-in speaker×1; echo cancellation supported
Alarm	1CH alarm input; 1CH alarm output
Reset Button	Yes
PIR	Horizontal angle: 100°; Range: 5m
Storage	Built-in micro SD card slot, up to 256G
WiFi	2.4G WiFi function, IEEE802.11b/g/n Up to 50m wireless range
Indicator	Yes

4MP Cube Wi-Fi Camera**SPECIFICATIONS**

Function	
Remote Monitoring	Web client/mobile APP client
Online Connection	Support simultaneous monitoring for up to 4 users and multi-stream real time transmission
Network Protocol	UDP, IPv4, IPv6, DHCP, NTP, RTSP, PPPoE, DDNS, SMTP, SNMP, FTP, 802.1x, UPnP, HTTPS, HTTP, HTTP POST, RTMP, QoS, P2P
Interface Protocol	ONVIF
Storage	Network remote storage
Smart Alarm	Motion detection, sensor alarm, PIR alarm, audio alarm, Person detection alarm, SD card full, SD card error, IP conflict, cable disconnection, video exception
Intelligent Analytics	Line crossing detection/region intrusion detection (human/vehicle classification)
General Function	Watermark, IP address filtering, video mask, illegal login lock, disarming, cloud upgrade, ANR
Security	Video encryption, firmware encryption, HTTPS encryption, configuration encryption, illegal login lock, IP address filtering, 802.1x authentication, basic and digest authentication for HTTP/RTSP/API services
IR Light Distance	0.3-10m
Water-proof Grade	No
PoE	Yes, IEEE802.3af
Others	
Power	DC12V/POE
Power Consumption	<5W
Environmental Protection	RoHS 2.0, REACH, WEEE, directive94/62/EC
Working Environment	-20°C~50°C, Humidity: less than 95% (non-condensing)
Dimensions(mm)	130mm×71.7mm×71.7mm
Weight (net)	Approx.0.14KG
Installation	Wall mounting; Ceiling mounting; desktop mounting