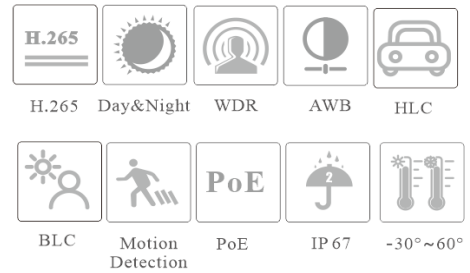


### 6MP IR Water-Proof Fisheye Camera



Produced by **TVT**



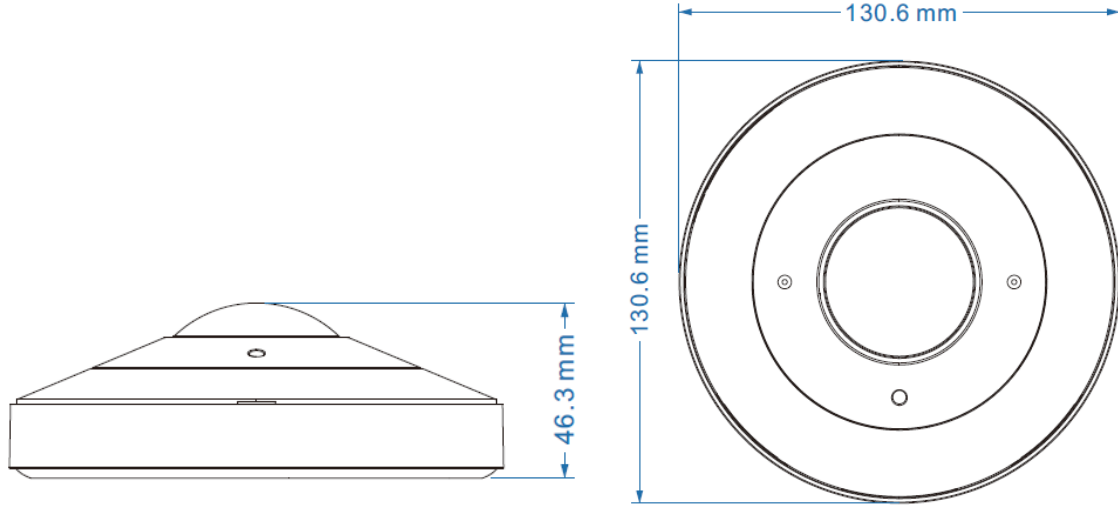
- 1:1 (2160×2160) @30fps
- H.265+ / H.265 / H.264+ / H.264 MJPEG coding
- ICR auto switch, true day & night
- 10~20m IR view distance
- Support 3D DNR, WDR, BLC, HLC, Smart IR, Defog, etc.
- Support ROI
- Built-in micro SD card slot, up to 256GB
- IP 67 ingress protection
- Intelligent Analytics
- Support P2P function
- Support mobile surveillance by smart phones with iOS and Android OS

## FEATURES

Model	SPF-9568E3B-A
<b>Camera</b>	
Image Sensor	1/2.5" Progressive Scan CMOS
Max. Resolution	2160×2160
Electronic Shutter	1/3s ~ 1/100000s
Min. Illumination	0.01 lux@F2.0, AGC ON; 0 lux with IR
IRIS	Sabit IRIS
Lens	1.65mm @F2.0, horizontal field of view : 180°(wall mounting), 360°(ceiling mounting), 360°(desktop)
WDR	120dB
S/N Ratio	≥ 50dB
BLC	Yes
HLC	Yes
Digital NR	3DNR
<b>Image</b>	
Video Compression	Main stream: H.265+ / H.265/ H.264+ / H.264 Sub stream: H.265+ / H.265/ H.264+ / H.264 MJPEG
H.264 Compression Standard	Baseline Profile/Main Profile/High Profile
Main Stream	<p>Mode 1 : Fisheye+Panoramic+3 PTZ  Fisheye view 50Hz: 25fps@(2160×2160, 1440×1440)  Fisheye view 60Hz: 30fps@(2160×2160, 1440×1440)  Panoramic view 50Hz: 25fps@(3200×1800,1920×1080)  Panoramic view 60Hz: 30fps@(3200×1800,1920×1080)  3PTZ view 50Hz: 15fps@(1280×720) * 3  3PTZ view 60Hz: 15fps@(1280×720) * 3</p> <p>Mode 2 : Fisheye+ 4 PTZ  Fisheye view 50Hz: 25fps@(2160×2160, 1440×1440)  Fisheye view 60Hz: 30fps@(2160×2160, 1440×1440)  4PTZ view 50Hz: 15fps@(1280×720) * 4  4PTZ view 60Hz: 15fps@(1280×720) * 4</p> <p>Mode3 : Fisheye+ 4 PTZ Fusion  Fisheye view 50Hz: 25fps@(2160×2160, 1440×1440)  Fisheye view 60Hz: 30fps@(2160×2160, 1440×1440)  4PTZ fusion view 50Hz: 20fps@2560×1440  4PTZ fusion view 60Hz: 20fps@2560×1440</p>
Sub Stream	Fisheye view: 50Hz: 25fps@(960×960,480×480) Fisheye view: 60Hz: 30fps@(960×960,480×480)
Bit Rate	64Kbps ~ 10Mbps
Bit Rate Type	VBR/CBR
Audio Compression	G711A / U
Image Settings	ROI, Saturation, Brightness, Hue, Contrast, Wide Dynamic, Sharpness, Image Flip, Image Mirror, NR, etc. adjustable through client software or web browser
ROI	8 ROI, each ROI to be configured separately
<b>Interfaces</b>	
Network	1 CH RJ45 10 M/100 M self-adaptive Ethernet port

Video Output	CVBS (BNC × 1)
Audio	2CH Built-in MIC, 1 CH audio input, 1CH audio output
RS-485	Yes, half-duplex
Storage	Built-in micro SD card slot, up to 256GB
Reset	Yes
Alarm	1CH alarm input, 1CH alarm output
<b>Functions</b>	
Remote Monitoring	Web Browser/TVT NVMS2.0/NVR/mobile APP
Web Browser	IE11(plug-in required)/Chrome 89.0+/Edge 89.0+/Firefox 87.0+/Safari 14.0+
Online Connection	Support simultaneous monitoring for up to 6 users; Support multi-stream real time transmission
Network Protocol	UDP, IPv4, IPv6, DHCP, NTP, RTSP, RTP, RTCP, RTMP, SNMP, PPPoE, DDNS, 802.1x, SMTP, FTP, UPnP, HTTPS, HTTP, QoS, P2P, HTTP POST
Interface Protocol	ONVIF
Intelligent Analytics	Mode 1/2/3 (ceiling mounting): (Human) region intrusion/region entrance/region exiting/target counting by line, crowd density detection, heat map
Smart Alarm	Motion detection, sensor alarm, SD card error, SD card full, IP address conflict, cable disconnection
General function	Watermark, video mask, heartbeat, corridor pattern, fisheye dewarping, system backup
PoE	Yes, IEEE802.3af
IR Distance	10-20m
Ingress Protection	IP67
<b>General</b>	
Power Supply	DC12V/PoE
Power Consumption	<10W
Working Environment	-30°C to 60 °C (-22 F to 140 F). Humidity 95% or less (non-condensing)
Dimensions(mm)	φ 130.6 × 46.3
Weight (net)	Approx. 516.2g
Installation	Wall mounting, ceiling mounting, desktop
Certificate	CE, FCC, UKCA
Environment Protection	Complies with Directive EU RoHS, WEEE(2012/19/EU) , directive 94/62/EC and REACH(EC1907/2006)

### MODEL



### ACCESSORIES



TD-YXH0206



TD-YZJ0409



TD-YZJ0813