

# IPC2241-FN/FNW-PIR

## 2.0MP Starlight & Ultra WDR HD Network Mini IR Semi Dome



### Features

#### Excellent Image Quality

- 2.0 Megapixel 1/2.8" progressive scan CMOS sensor
- High definition and smooth picture, 1080p@30fps
- H.265 video codec, saves up to 50% bandwidth and storage
- Ultra low illumination, 0.002lux with color picture
- 120dB Ultra WDR
- 3D noise reduction / Auto Iris / HLC

#### Intelligent Functions

- Motion detection / Tampering / Guard line / Enter guard area / Exit guard area

#### Integrated High Efficiency IR

- Industrial IR LED with long operational lifespan
- 15m IR distance
- Smart IR function

#### A Variety of Installation Modes

- Supports 90°, 180°, 270° image rotation

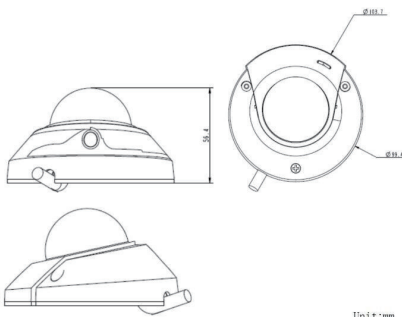
#### Abundant Functions and Features

- Micro SD card slot, supports Automatic Network Replenishment (ANR)
- Bi-directional audio / Built-in Mic
- Wi-Fi supported (-FNW only)
- Dual-stream (1080p + D1)
- Anti-fog glass
- EN50155
- PoE
- IK10
- IP67



### Dimensions

Units:mm



Unit:mm

### Specifications

|                                       | IPC2241-FN-PIR   | IPC2241-FNW-PIR |
|---------------------------------------|--|-----------------|
| <b>Camera</b>                         |  |                 |
| Image Sensor                          | 1/2.8" progressive scan CMOS   |                 |
| Pixels                                | 2.0 Megapixel  |                 |
| Min. Illumination                     | Color: 0.002lux @ (F2.0, AGC ON)<br>B/W: 0.0002lux @ (F2.0, AGC ON);   |                 |
| Shutter Speed                         | 1 ~ 1/30,000s  |                 |
| Day / Night                           | Auto (ICR) / Color / B/W   |                 |
| Wide Dynamic Range                    | Ultra WDR, >=120dB   |                 |
| S/N Ratio                             | >58dB  |                 |
| White Balance                         | Auto / Manual  |                 |
| Gain Control                          | Auto / Manual  |                 |
| Backlight Compensation                | Off / WDR / BLC / HLC  |                 |
| <b>Lens</b>                           |  |                 |
| Mount Type                            | M12  |                 |
| Focal Length                          | 2.8mm (-L0280) / 3.6mm (-L0360) / 6mm (-L0600) / 8mm (-L0800)  |                 |
| Angle of View                         | 101.2° (-L0280) / 78.6° (-L0360) / 53.2° (-L0600) / 36.8° (-L0800)   |                 |
| Adjustment Range                      | Pan: -45° ~ 45° / Tilt: 0° ~ 90° / Rotation: 0° ~ 360°   |                 |
| <b>Infrared</b>                       |  |                 |
| IR Distance                           | 15m  |                 |
| IR Intensity                          | Smart IR   |                 |
| <b>Video</b>                          |  |                 |
| Compression                           | H.265 / H.264 / MJPEG  |                 |
| Image Resolution                      | Main stream: 1080p<br>Secondary stream: D1   |                 |
| Frame Rate                            | Main stream: 1080p@30fps<br>Secondary stream: D1@30fps   |                 |
| Bitrate                               | 32kbps ~ 8Mbps   |                 |
| Bitrate Control                       | VBR / CBR  |                 |
| Dual-stream                           | Supported  |                 |
| Caption                               | Date and time / Alarm / Customized   |                 |
| Privacy Masking                       | Up to 4 zones  |                 |
| Motion Detection                      | Up to 4 zones  |                 |
| ROI                                   | Supported  |                 |
| Digital Noise Reduction               | 3D noise reduction   |                 |
| Digital Defog                         | Supported  |                 |
| Image Flip                            | Flip / Mirror / Rotation 90°, 180°, 270°   |                 |
| <b>Audio</b>                          |  |                 |
| Compression                           | G.711a / G.711u / ADPCM / G.722 / AAC-LC   |                 |
| Bitrate                               | 32kbps ~ 64kbps  |                 |
| Audio Function                        | Bi-directional audio / AEC / Mixed audio recording / Dumb / Mute   |                 |
| <b>Network</b>                        |  |                 |
| Network Protocols                     | TCP/IP, UDP, HTTP, DHCP, DNS/DDNS, RTP/RTCP, RTSP, PPPoE, FTP, VSIP, UPnP, 802.1x, NAT, QoS, SMTP, IPv4, IPv6 (optional)   |                 |
| User Interface                        | IPC Control (IE, Firefox, Chrome)  |                 |
| Max. User Access                      | Max. 10 Users (includes 2 internal)  |                 |
| Wireless                              | / Wi-Fi  |                 |
| Wi-Fi                                 | / 802.11b/g/n 2.4G, Wi-Fi AP   |                 |
| Application Programming               | ONVIF (Profile S, Profile G), GB/T 28181-2011, API, CGI  |                 |
| Automatic Network Replenishment (ANR) | Supported  |                 |
| <b>Alarm</b>                          |  |                 |
| Alarm Triggers                        | Alarm input / Network disconnect / Disk full / Disk error  |                 |
| Intelligent                           | Motion detection / Tampering / Guard line / Defocus / Scene change / Enter guard area / Exit guard area / Object left / Object removal / Gathering / Audio surge |                 |
| Alarm Events                          | Alarm report / Recording / Text overlay / Snapshot / External output / Email notice / Acoustic alarm   |                 |
| <b>Interfaces</b>                     |  |                 |
| Ethernet                              | 10/100M, RJ45 interface  |                 |
| Wi-Fi                                 | / Built-in Wi-Fi module  |                 |
| Audio In / Out                        | 1 x Line in / 1 x Line out / 1 x Built-in Mic  |                 |
| Control                               | 1 x RS485  |                 |
| Alarm In / Out                        | 2 x Input / 1 x Output   |                 |
| Video Out                             | 1 x BNC, 1.0V [p-p] / 75Ω  |                 |
| Memory Slot                           | Micro SD card slot, supports up to 256GB   |                 |
| <b>Environmental</b>                  |  |                 |
| Operating Temperature                 | -40°C ~ 70°C / -40°F ~ 158°F   |                 |
| Operating Humidity                    | 10% ~ 95%  |                 |
| Protection level                      | IK10, IP67, EN50155  |                 |
| <b>Electrical</b>                     |  |                 |
| Power                                 | 12V DC ± 25% / PoE (IEEE802.3af)   |                 |
| Power Consumption                     | Max. 8W  |                 |
| <b>Mechanical</b>                     |  |                 |
| Weight                                | 0.5 kg / 1.1lb (Gross Weight)  |                 |
| Dimensions                            | Ø103.7 x 56.4mm / Ø4.08" x 2.22"   |                 |