

# IPC2270-FN-S

## 2.0MP Starlight & Ultra WDR Pinhole HD Network Box Camera



### Features

#### Excellent Image Quality

- 2.0 Megapixel 1/2.8" progressive scan CMOS sensor
- High definition and smooth picture, 1080p@30fps
- H.265 video codec, saves up to 50% bandwidth and storage
- Ultra low illumination, 0.002lux with color picture
- 120dB Ultra WDR
- 3D noise reduction / Auto Iris / HLC

#### Intelligent Functions

- Motion detection / Tampering / Guard line / Defocus / Scene change / Enter guard area / Exit guard area / Object left / Object removal / Gathering

#### A Variety of Installation Modes

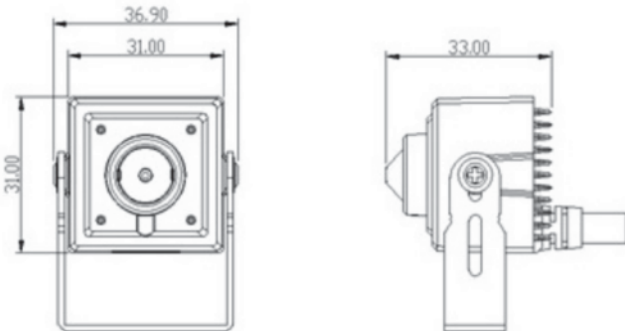
- Supports 90°, 180° image rotation

#### Abundant Functions and Features

- Micro SD card slot, supports Automatic Network Replenishment (ANR)
- Up to 3 Multi-stream
- Bi-directional audio / alarm in and out / video out / RS485
- 2 channel audio input simultaneously

### Dimensions

Units: mm



### Specifications

Camera	IPC2270-FN-S
Image Sensor	1/2.8" Progressive Scan CMOS
Pixels	2.0 Megapixel
Min. Illumination	Color: 0.002lux @ (F2.0, AGC ON) B/W: 0.0002lux @ (F2.0, AGC ON)
Shutter Speed	1 – 1/30.000s
Day / Night	Auto (ICR) / Color / B/W
Wide Dynamic Range	Ultra WDR, >=120dB
S/N Ratio	>52dB
White Balance	Auto / Manual
Gain Control	Auto / Manual
Backlight Compensation	Off / WDR / BLC / HLC
<b>Lens (not included)</b>	
Mount Type	M12
Focal Length	3.7mm (-L0370)
Angle of View	71.4° (-L0370)
<b>Video</b>	
Compression	H.265 / H.264 / MJPEG
Image Resolution	Main stream: 1080p Secondary stream: D1
Frame Rate	Main stream: 1080p@30fps Secondary stream: D1@30fps
Bitrate	64kbps – 16Mbps
Bitrate Control	VBR / CBR
Multi-stream	Supported
Caption	Date and time / Alarm / Direction / Customized
Privacy Masking	Up to 4 zones
Motion Detection	Up to 4 zones
Video Freeze	Supported
ROI	Supported
Digital Noise Reduction	3D noise reduction
Digital Defog	Supported
Image Flip	Flip / Mirror / Rotation at 90°, 180°
<b>Audio</b>	
Compression	G.711a / G.711u / ADPCM / G.722 / AAC-LC / G.722.1c / G.726
Bitrate	32kbps – 64kbps
Audio Function	Bi-directional audio / AEC / Mixed audio recording / Dumb / Mute
<b>Network</b>	
Network Protocols	TCP/IP, UDP, HTTP, DHCP, DNS/DDNS, RTP/RTCP, RTSP, PPPoE, FTP, VSIP, UPnP, 802.1x, NAT, QoS, SMTP, IPv4, IPv6 (optional)
User Interface	IPC Control (IE, Firefox, Chrome)
Max. User Access	Max. 10 Users (includes 2 internal)
Application Programming	ONVIF (Profile S, Profile G), GB/T 28181-2011, API, CGI
Automatic Network Replenishment (ANR)	Supported
<b>Alarm</b>	
Alarm Triggers	Alarm input / Network disconnect / Disk full / Disk error
Intelligent	Motion detection / Tampering / Guard line / Defocus / Scene change / Enter guard area / Exit guard area / Object left / Object removal / Gathering
Alarm Events	Alarm report / Recording / Text overlay / Snapshot / External output / Email notice / Acoustic alarm
<b>Interfaces</b>	
Ethernet	10/100M, RJ45 interface
Audio In / Out	1 x 3.5mm Audio in, 1 x 3.5mm Audio out
Control	1 x RS485
Alarm In / Out	1 x Input
Video Out	1 x BNC, 1.0V [p-p] / 75Ω
Memory Slot	Micro SD card slot, supports up to 128GB
<b>Environmental</b>	
Operating Temperature	-10°C – 50°C / -10°F – 122°F
Operating Humidity	0% – 85%
<b>Electrical</b>	
Power	DC 12V ± 10%
Power Consumption	Max. 3.5W
<b>Mechanical</b>	
Weight	0.175 kg / 0.39lb (Gross Weight)
Dimensions	32 x 32 x 35mm / 1.26" x 1.26" x 1.38"