

IPC2411-HN-PIR30-L

4.0MP HD Network IR Semi Dome Camera



Features

Excellent Image Quality

- 4.0 Megapixel 1/3" progressive scan CMOS Sensor
- High definition and smooth picture, 2592x1520@20fps, 2048x1520@25fps, 1080p@30fps
- H.265 video codec, saves up to 50% bandwidth and storage
- Low illumination, 0.05lux with color picture
- WDR / HLC / 2DNR / 3DNR

Intelligent Functions

- Motion detection / Tampering / Entry Guard Area / Guard line / Enter guard area / Exit guard area

Integrated High Efficiency IR

- Industrial IR LED with long operational lifespan
- 30m IR distance
- Smart IR function

A Variety of Installation Modes

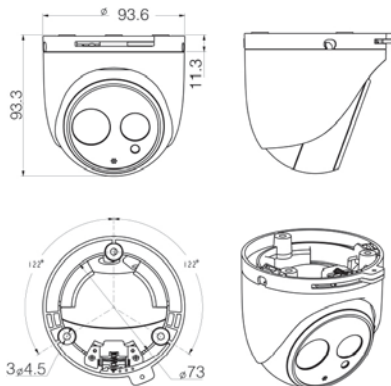
- Supports 90°, 180°, 270° image rotation

Abundant Functions and Features

- Micro SD card slot, supports Automatic Network Replenishment (ANR)
- Built-in Mic
- Dual-stream (1080p + D1)
- Anti-fog glass
- PoE
- IP66, IK10

Dimensions

Units:mm



Specifications

IPC2411-HN-PIR30-L	
Camera	
Image Sensor	1/3" progressive scan CMOS
Pixels	4.0 Megapixel
Min. Illumination	Color: 0.05lux @ (F1.6, AGC ON)
	B/W: 0lux with IR
Shutter Speed	1 – 1/30,000s
Day / Night	Auto (ICR) / Color / B/W
Wide Dynamic Range	Digital WDR
S/N Ratio	>50dB
White Balance	Auto / Manual
Gain Control	Auto / Manual
Backlight Compensation	Off / WDR / BLC / HLC
Lens	
Mount Type	M12
Focal Length	2.8mm (-L0280) / 3.6mm (-L0360) / 6mm (-L0600) / 8mm (-L0800)
Angle of View	101.2° (-L0280) / 78.6° (-L0360) / 53.2° (-L0600) / 36.8° (-L0800)
Adjustment Range	Pan: 0° – 360° / Tilt: 0° – 85° / Rotation: 0° – 360°
Infrared	
IR Distance	30m
IR Intensity	Smart IR
Video	
Compression Format	H.265 + / H.265 / H.264 / MJPEG
Image Resolution	Main stream: 2592x1520 Secondary stream: D1
Frame Rate	Main stream: 2592x1520@20fps, 2048x1520@25fps, 1080p@30fps Secondary stream: D1@30fps
Bitrate	64kbps – 16Mbps
Bitrate Control	VBR / CBR
Dual-stream	Supported
Caption	Date and time / Alarm / Customized
Privacy Masking	Up to 4 zones
Motion Detection	Up to 4 zones
ROI	Supported
Digital Noise Reduction	2DNR, 3DNR
Digital Defog	Supported
Image Flip	Flip / Mirror / Rotation at 90°, 180°, 270°
EIS	Supported
Discortion Correction	Supported
Audio	
Compression	G.711a / G.711u / ADPCM / G.722 / AAC-LC / G.722.1c / G.726
Bitrate	32kbps – 64kbps
Audio Function	AEC / Dumb
Network	
Network Protocols	TCP/IP, UDP, HTTP, HTTPS, SSH, DHCP, DNS/DDNS, RTP/RTCP, RTSP, PPPoE, FTP, VSIP, UPnP, 802.1x, NAT, QoS, IGMP, Multicast, IP Filter, NTP, SNMP, SMTP, IPv4, IPv6 (optional)
User Interface	IPC Control (IE, Firefox, Chrome)
Max. User Access	Max. 10 Users (includes 2 internal)
Application Programming	ONVIF (Profile S, Profile G), GB/T 28181-2011, API, CGI
Automatic Network Replenishment (ANR)	Supported
Alarm	
Alarm Triggers	Alarm input / Network disconnect / Disk full / Disk error
Intelligent	Motion detection / Tampering / Entry Guard Area / Guard line / Enter guard area / Exit guard area
Alarm Events	Alarm report / Recording / Text overlay / Snapshot / External output / Email notice / Acoustic alarm
Interfaces	
Ethernet	10/100M, RJ45 interface
Audio In / Out	1 x Built-in Mic
Memory Slot	Micro SD card slot, supports up to 128GB
Environmental	
Operating Temperature	-40°C – 60°C / -40°F – 140°F
Operating Humidity	10% – 95%
Protection level	IK10, IP66
Electrical	
Power	12V DC ± 10% / PoE (IEEE802.3af)
Power Consumption	Max. 11W
Mechanical	
Weight	1kg / 2.2lb (Gross Weight)
Dimensions	Φ93.6 × 93.3mm / Φ3.69" × 3.68"
Standard	CE, FCC, EMC, LVD