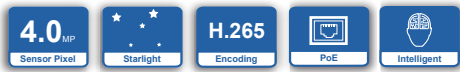


# IPC2431-Gi4N

## Human Recognitive HD Network Varifocal IR Semi Dome



### Features

#### Excellent Image Quality

- 4.0 Megapixel 1/1.8" Progressive Scan CMOS Sensor
- High definition and smooth picture, 2560x1440@30fps
- H.265 video codec, saves up to 50% bandwidth and storage
- Ultra low illumination, 0.002lux with color picture
- WDR support / 3D noise reduction / HLC

#### Recognitive Functions

- Motion detection / Tampering / Guard line / Defocus / Scene change / Enter guard area / Exit guard area / Object left / Object removal / Gathering / Audio surge

#### Recognitive Functions

- Up to 100 targets simultaneously
- Target capturing and characters recognizing
- Bi-directional people counting
- Built-in picture comparison algorithm, best picture selection
- Face Intelligence Exposure

#### Vandal-Proof

- Above IK10 @ 50J collision energy

#### Integrated High Efficiency IR

- Industrial IR LED with long operational lifespan
- 30 ~ 50m IR distance
- Smart IR function

#### A Variety of Installation Modes

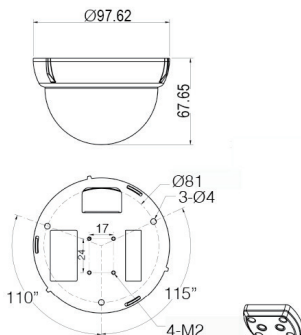
- Varifocal AF lens

#### Abundant Functions and Features

- Micro SD card slot, supports Automatic Network Replenishment (ANR)
- Bi-directional audio / alarm in and out / RS485
- Up to 3 Multi-stream
- PoE
- IP66

### Dimensions

Units:mm



### Specifications

	IPC2431-Gi4N
<b>Camera</b>	
Image Sensor	1/1.8" progressive scan CMOS
Image Sensor	4.0 Megapixel
Color	0.002lux @ (F1.6, AGC ON)
Min. Illumination	B/W: 0.0002lux @ (F1.6, AGC ON);
Shutter Speed	1 ~ 1/30,000s
Day / Night	Auto (ICR) / Color / B/W
Wide Dynamic Range	Ultra WDR, >=120dB
S/N Ratio	>52dB
White Balance	Auto / Manual
Gain Control	Auto / Manual
Backlight Compensation	Off / BLC / WDR / HLC
<b>Lens (not included)</b>	
Mount Type	Ø14
Auto Iris	DC drive
Focal Length	-Z71030: 10~30mm @ F1.6 motorized varifocal lens
Focus Control	Manual / Semi-Automatic / Auto
Angle of View	108° ~ 35°
Adjustment Range	Pan: 0° ~ 355° / Tilt: 0° ~ 75° / Rotation: 0° ~ 355°
<b>Infrared</b>	
IR Distance	30 ~ 50m
IR Intensity	Smart IR
<b>Video</b>	
Compression	H.265 / H.264 / MJPEG
Image Resolution	Main stream: 2560x1440
	Secondary stream: D1
Frame Rate	Main stream: 2560x1440@30fps
	Secondary stream: D1@30fps
Bitrate	32kbps ~ 32Mbps
Bitrate Control	VBR / CBR
Multi-stream	Supported
Caption	Date and time / Alarm / Customized
Privacy Masking	Up to 4 zones
Motion Detection	Up to 4 zones
Video Freeze	Supported
Digital Noise Reduction	3D noise reduction
Image Flip	Flip / Mirror / Rotation at 90°,180°,270°
<b>Audio</b>	
Compression	G.711a / G.711u / ADPCM / G.722 / G.722.1c / G.726
Bitrate	32kbps ~ 64kbps
Audio Function	Bi-directional audio / AEC / Mixed audio recording / Dumb / Mute
<b>Network</b>	
Network Protocols	TCP/IP, UDP, HTTP, DHCP, DNS/DDNS, RTP/RTCP, RTSP, PPPoE, FTP, VSIP, UPnP, 802.1x, NAT, QoS, SMTP, IPv4, IPv6 (optional)
User Interface	IPC Control (IE, Firefox, Chrome)
Max. User Access	Max. 20 Users (includes 2 internal)
Application Programming	ONVIF (Profile S, Profile G), GB/T 28181-2011, API, CGI
Automatic Network Replenishment (ANR)	Supported
<b>Recognitive Functions</b>	
Target Detection	Person, Face
	up to 100 targets simultaneously
Captured Picture	Person, Face, Full view
Target Characters	Built-in picture comparison algorithm, best picture selection
People Counting	Direction / Speed level
Face Enhancement	Bi-directional
	Face Intelligence Exposure
<b>Alarm</b>	
Alarm Triggers	Alarm input / Network disconnect / Disk full / Disk error
Intelligent	Motion detection / Tampering / Guard line / Defocus / Scene change / Enter guard area / Exit guard area / Object left / Object removal / Gathering / Audio surge
Alarm Events	Alarm report / Recording / Text overlay / Snapshot / External output / Email notice / Acoustic alarm
<b>Interfaces</b>	
Ethernet	10/100M, RJ45 interface
Audio In / Out	2 x Line in / 1 x Line out
Control	1 x RS485
Alarm In / Out	2 x Input / 1 x Output
Memory Slot	Micro SD card slot, supports up to 256GB
<b>Environmental</b>	
Operating Temperature	-40°C ~ 40°C / -40°F ~ 158°F
Operating Humidity	10% ~ 95%
Protection Level	IK10+ @50J, IP66
<b>Electrical</b>	
Power	DC12V ± 10% / PoE (IEEE802.3at)
Power Consumption	Max. 20W
<b>Mechanical</b>	
Weight	1 kg / 2.2lb (Gross Weight)
Dimensions	Ø155.8 x 125.9mm / Ø6.14" x 4.96"