

IPC2655-Gi7N

Recognitive HD Network Varifocal Bullet Camera



Features

Excellent Image Quality

- 6.0 Megapixel 1/1.8" Progressive Scan CMOS Sensor
- High definition and smooth picture, 3072 x 2048@30fps
- WDR / HLC / 3D noise reduction

Recognitive Functions

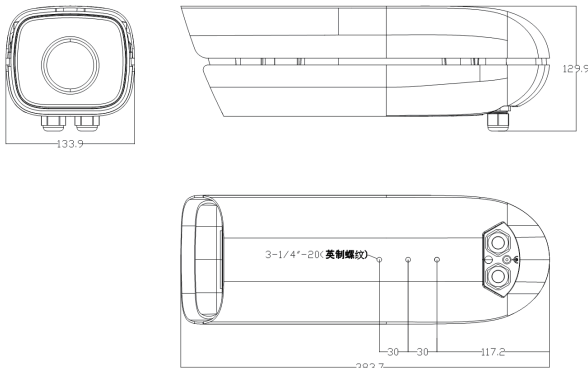
- Target capturing and characters recognizing
- Built-in picture comparison algorithm, best picture selection

Abundant Functions and Features

- Micro SD card slot, supports Automatic Network Replenishment (ANR)
- Bi-directional audio / alarm in&out / RS485
- -40°C ~ 60°C operation temperature
- IP66

Dimensions

Units:mm



Specifications

	IPC2655-Gi7N
Camera	
Image Sensor	1/1.8" Progressive Scan CMOS
Pixels	6.0 Megapixel
Min. Illumination	Color: 0.01Lux @ (F1.4, AGC ON) B/W: 0.001Lux @ (F1.4, AGC ON)
Shutter Speed	1/7.5 ~ 1/16,000s
Day / Night	Auto (ICR) / Color / B/W
Wide Dynamic Range	Digital WDR
S/N Ratio	52dB
White Balance	Auto / Manual
Gain Control	Auto / Manual
Backlight Compensation	Off / WDR / BLC / HLC
Lens (not included)	
Auto Iris	DC drive
Focal Length	15 ~ 50mm @ F1.4 motorized varifocal lens
Focus Control	Manual / Semi-Automatic / Auto
Night View	
White LED Distance	20m ~ 30m
Video	
Compression	H.265 / H.264
Image Resolution	Main stream: 3072 x 2048 Secondary stream: D1
Frame Rate	Main stream: 3072 x 2048@25fps Secondary stream: D1@30fps
Bitrate	32kbps ~ 16Mbps
Bitrate Control	VBR / CBR
Multi-stream	Supported
Caption	Date and time / Alarm / Direction / Customized
Privacy Masking	Up to 4 zones
Motion Detection	Up to 4 zones
Video Freeze	Supported
Digital Noise Reduction	3D noise reduction
Image Flip	Flip / Mirror
Audio	
Compression	G.711a / G.711u / ADPCM / G.722 / AAC-LC / G.722.1c
Bitrate	32kbps ~ 64kbps
Audio Function	Bi-directional audio / AEC / Mixed audio recording / Dumb / Mute
Network	
Network Protocols	TCP/IP, UDP, HTTP, DHCP, DNS/DDNS, RTP/RTCP, RTSP, PPPoE, FTP, VSIP, UPnP, 802.1x, NAT, QoS, SMTP, IPv4, IPv6 (optional)
User Interface	IPC Control (IE, Firefox, Chrome)
Max. User Access	Max. 10 Users (includes 2 internal)
Application Programming	Onvif (Profile S, Profile G), GB/T 28181-2011, API, CGI
Automatic Network Replenishment (ANR)	Supported
Recognitive Functions	
Target Detection	Person, Vehicle
Captured Picture	Person, Vehicle Built-in picture comparison algorithm, best picture selection
Alarm	
Alarm Triggers	Alarm input / Network disconnect / Disk full / Disk error
Alarm Events	Alarm report / Recording / Text overlay / Snapshot / External output / Email notice / Acoustic alarm
Interfaces	
Ethernet	10/100M, RJ45 interface
Audio In / Out	2 x Line in / 1 x Line out
Control	1 x RS485
Alarm In / Out	2 x Input / 1 x Output
Memory Slot	Micro SD card slot, supports up to 128GB
Environmental	
Operating Temperature	-40°C ~ 60°C / -40°F ~ 140°F
Operating Humidity	10% ~ 95%
Protection Level	IP66
Electrical	
Power	AC 24V ± 10%
Power Consumption	Max. 36W
Mechanical	
Weight	2.8kg / 6.17lb (Gross Weight)
Dimensions	383 x 129.9 x 133mm / 15.05" x 5.11" x 5.24"