

# IPC427-F120-NP

## 2.0MP Starlight HD 20x Speed Dome Camera



### Features

#### Excellent Image Quality

- 2.0 Megapixel 1/2.8" progressive scan CMOS sensor
- High definition and smooth picture, 1920 x 1080@30fps
- H.265 video codec, saves up to 50% bandwidth and storage
- Ultra low illumination, 0.006lux with color picture
- IR automatically adjusts
- 3D noise reduction / HLC / BLC

#### Intelligent Functions

- Motion detection / Tampering / Guard line / Enter guard area / Exit guard area

#### Long Operation Lifespan

- Industrial components, withstands operation temperatures of -40°C ~70°C
- IP66, TVS 6000V lightning protection, surge protection and voltage transient protection

#### Large Scale

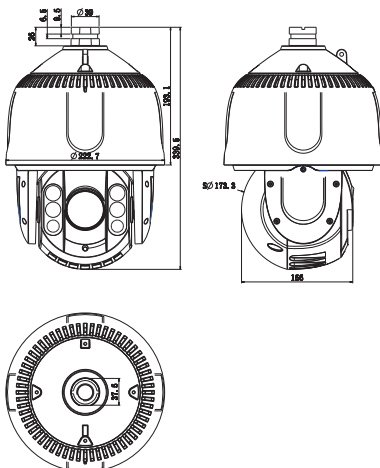
- 20x optical zoom
- IR distance up to 180m

#### Abundant Functions and Features

- Micro SD card optional, supports Automatic Network Replenishment (ANR)
- Up to 3 Multi-stream
- Bi-directional audio / alarm in and out
- Built-in O-sensor
- PoE
- IK10

### Dimensions

Units: mm



### Specifications

	IPC427-F120-NP
<b>Camera</b>	
Image Sensor	1/2.8" progressive scan CMOS
Pixels	2.0 Megapixel
Min. Illumination	Color: 0.006lux @ (F1.6 AGC ON) B/W: 0.0005lux @ (F1.6, AGC ON); 0lux with IR
Shutter Speed	1 ~ 1/30,000s
Day / Night	Auto (ICR) / Color / B/W
Wide Dynamic Range	Ultra WDR, >=120dB
S/N Ratio	>57dB
White Balance	Auto / Manual
Gain Control	Auto / Manual
Backlight Compensation	Off / WDR / BLC / HLC
<b>Lens</b>	
Focal Length	5.2 ~ 100.4mm, 20x optical
Zoom Speed	Approx 3s (Optical)
Angle of View	61°~ 3.64° (Wide~Tele)
Min. Object Distance	1000 ~ 1500mm (Wide~Tele)
Max. Aperture Ratio	F1.6
Focus Control	Auto / Manual / Semi-Automatic
<b>Infrared</b>	
IR LED	6 pcs IR LED Array
IR Distance	120 ~ 180m
IR Intensity	Automatically adjust according to zoom ratio
<b>Pan and Tilt</b>	
Pan / Tilt Range	360° Endless / -15° ~ 90° (Auto Flip)
Pan / Tilt Speed	Pan manual speed: 0.1°~160°/s; Pan preset speed:160°/s Tilt manual speed: 0.1°~120°/s; Tilt preset speed: 120°/s
Proportional Zoom	Pan / Tilt speed can be adjusted automatically according to zoom multiples
Preset	256
Patrol	8 Patrols scheme, up to 32 presets per patrol
Pattern Scan	4 Scan paths, each path can record 10 minutes of operation path
Power-off Memory	Power-off memory / Power-on recovery
Auto Guard	Path / Preset / Mixed / Pan scan / Tilt scan / Frame scan / Random scan / Panorama scan
PT Limit	Manual / Scan / Pan
3D Positioning	PTZ control with mouse click and drag
Electronic compass	Built-in O-sensor
<b>Video</b>	
Compression	H.265 / H.264 / MJPEG
Image Resolution	Main stream: 1080p Secondary stream: 720p
Frame Rate	Main stream: 1080p@30fps Secondary stream: 720p@30fps
Bitrate	32~16384Kbps
Bitrate Control	VBR / CBR
Multi-stream	Supported
Caption	Date and time / Alarm / Direction / Customized
Privacy Masking	Up to 4 zones
Motion Detection	Up to 4 zones
Video Freeze	Supported
ROI	Supported
Digital Noise Reduction	3D noise reduction
Electronic Defog	Supported
Image Flip	Flip / Mirror
<b>Audio</b>	
Compression	G.711a / G.711u / ADPCM / G.722 / AAC-LC / G.722.1c / G.726
Bitrate	32kbps ~ 64kbps
Audio Function	Bi-directional audio / AEC / Mixed audio recording / Mute
<b>Network</b>	
Network Protocols	TCP/IP, UDP, HTTP, HTTPS, DHCP, DNS/DDNS, RTP/RTCP, RTSP, PPPoE, FTP, VSIP, UPnP, 802.1x, NAT, QoS, NTP, SNMP, IGMP, Multicast, SMTP, IPv4, IPv6 (optional)
User Interface	IPC Control (IE, Firefox, Chrome)
Max. User Access	Max. 10 Users (includes 2 internal)
Application Programming	ONVIF (Profile S, Profile G), GB/T 28181-2011, API, CGI
Automatic Network Replenishment (ANR)	Supported
<b>Alarm</b>	
Alarm Triggers	Alarm input / Network disconnect / Disk full / Disk error
Intelligent	Motion detection / Tampering / Guard line / Enter guard area / Exit guard area
Alarm Events	Alarm report / Recording / Text overlay / Snapshot / External output / Email notice / Acoustic alarm
<b>Interfaces</b>	
Ethernet	10/100M, RJ45 interface
Audio In / Out	1 x Line in / 1 x Line out
Alarm In / Out	2 x Input / 1 x Output
Memory Slot	Built-in SD card (optional), supports up to 128GB
<b>Environmental</b>	
Operating Temperature	-40°C ~ 70°C / -40°F ~ 158°F
Operating Humidity	10% ~ 95%
Protection Level	IK10, IP66, TVS 6000V lightning protection, surge protection and voltage transient protection
<b>Electrical</b>	
Power	24V AC / 3A (Power adapter not included) / Hi-PoE (PSE module included)
Power Consumption	Max. 35W (IR on)
<b>Mechanical</b>	
Weight	6.6 kg / 14.55lb (Gross Weight)
Dimensions	Ø222.7 × 339.5mm / Ø8.77" × 13.35"