

IPC981-T230-NIR

Vehicle Panoramic 5G PTZ Camera



Features

Excellent Image Quality

- 6 x 4.0 Megapixel + 1 x 2.0 Megapixel 1/1.8" Progressive Scan CMOS Sensor
- 2 x 180° panoramic stitching
- H.265 video codec, saves up to 50% bandwidth and storage
- Ultra low illumination, 0.0003lux with color picture
- IR automatically adjusts
- WDR / 3D noise reduction / HLC / BLC

Intelligent Functions

- Motion detection / Tampering / Guard line / Enter guard area / Exit guard area / Object left / Object removal / Gathering / Audio surge / Auto tracking / Facial recognition / Plate recognition / Offline comparison

Long Operation Lifespan

- Industrial components, withstands operation temperatures of -40°C ~70°C
- IP67, TVS 6000V lightning protection, surge protection and voltage transient protection

Large Scale

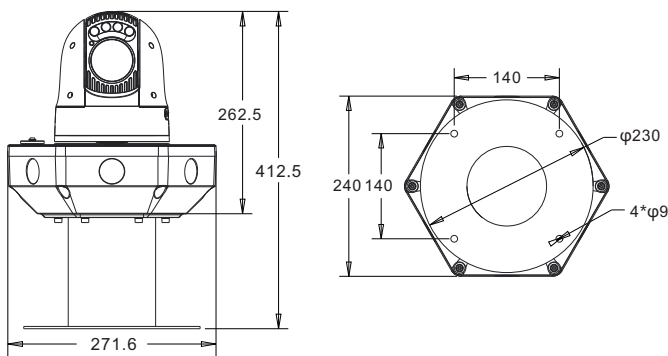
- 40x optical zoom, 8 digital zoom
- IR distance up to 100m

Abundant Functions and Features

- 3 x Micro SD card slots, supports Automatic Network Replenishment (ANR)
- 4G / 5G / Wi-Fi / Blue tooth supported
- Built-in O-sensor
- Built-in GPS module

Dimensions

Units:mm



Specifications

IPC981-T230-NIR	
Panoramic Camera	
Image Sensor	6 x 1/1.8" Progressive Scan CMOS
Pixels	4.0 Megapixel
Min. Illumination	Color: 0.0003lux @ (F1.0, AGC ON) B/W: 0.0001lux @ (F1.0, AGC ON); 0lux with IR
Shutter Speed	1 ~ 1/30,000s
Day / Night	Auto (ICR) / Color / B/W
Wide Dynamic Range	Ultra WDR, >=120dB
S/N Ratio	>57dB
White Balance	Auto / Manual
Gain Control	Auto / Manual
Backlight Compensation	Off / WDR / BLC / HLC
Focal Length	5mm
Compression	H.265 / H.264 / MJPEG
Image Resolution	Main stream: 6000*2160, stitching picture
	Secondary stream: 2048 x 600
	Third stream: 704 x 200
Frame Rate	Main stream: 1 ~ 30fps
	Secondary stream: 1 ~ 30fps
	Third stream: 1 ~ 30fps
Bitrate	256~ 32768Kbps
PTZ Camera	
Image Sensor	1/1.8" progressive scan CMOS
Pixels	2.0 Megapixel
Min. Illumination	Color: 0.001lux @ (F1.2, AGC ON) B/W: 0.0005lux @ (F1.2, AGC ON); 0lux with IR
Shutter Speed	1 ~ 1/30,000s
Day / Night	Auto (ICR) / Color / B/W
Day / Night	Auto (ICR) / Color / B/W
Wide Dynamic Range	Ultra WDR, >=120dB
S/N Ratio	>57dB
White Balance	Auto / Manual
Gain Control	Auto / Manual
Backlight Compensation	Off / WDR / BLC / HLC
Focal Length	4.3 ~ 172mm, 40x optical, 8 digital zoom
Angle of View	60° ~ 2.4° (Wide-Tele)
Min. Object Distance	300 ~ 1500mm (Wide-Tele)
Focus Control	Auto / Manual / Semi-Automatic
IR Distance	100m
IR Intensity	Automatically adjust according to zoom ratio
Compression	H.265 / H.264 / MJPEG
Image Resolution	Main stream: 1080P
	Secondary stream: 1080P
	Third stream: D1
Frame Rate	Main stream: 1 ~ 60fps
	Secondary stream: 1 ~ 60fps
	Third stream: 1 ~ 30fps
Bitrate	32kbps ~ 16Mbps
Pan and Tilt	
Pan / Tilt Range	360° Endless / -15° ~ 90°
Pan / Tilt Speed	Pan manual speed: 0.1° ~ 80°/s; Pan preset speed: 120°/s Tilt manual speed: 0.1° ~ 60°/s; Tilt preset speed: 100°/s
Proportional Zoom	Pan / Tilt speed can be adjusted automatically according to zoom multiples
Preset	256
Patrol	8 Patrols scheme, up to 32 presets per patrol
Pattern Scan	8 scan paths, each path has 32 presets
Power-off Memory	Power-off memory / Power-on recovery
Auto Guard	Path / Preset / Mixed / Pan scan / Tilt scan / Frame scan / Random scan / Panorama scan
PT Limit	Manual / Scan / Pan
3D Positioning	PTZ control with mouse click and drag
Electronic compass	Built-in O-sensor
Audio	
Compression	PCMA, PCMU, G.722.1.C, ADPCM, G.722, AAC LC, G.726, OPUS
Bitrate	32kbps ~ 64kbps
Audio Function	Bi-directional audio / AEC / Mixed audio recording / Dumb / Mute
Network	
Network Protocols	TCP/IP, UDP, HTTP, DHCP, DNS/DDNS, RTP/RTCP, RTSP, PPPoE, FTP, VSIP, UPnP, 802.1x, NAT, QoS, SMTP, IPv4, IPv6 (optional)
User Interface	IPC Control (IE, Firefox, Chrome)
Max. User Access	Max. 20 Users (includes 2 internal)
Wireless	4G / 5G / Wi-Fi / Blue tooth
4G / 5G Frequency Band	5G NR: n1 / n41 / n77 / n78 / n79
	FDD-LTE: B1 / B3 / B5 / B8
	TDD-LTE: B38 / B39 / B40 / B41
	WCDMA: B1 / B8
	GSM / GPRS / EDGE: 900 / 1800MHz
Wi-Fi	TD-SCDMA: B34 / B39
	EVDO/CDMA: BC0
	Customizable network spectrum
	802.11ac/b/g/n 2.4G / 5G, Wi-Fi AP
Blue Tooth	BT 4.1
Location Technology	GPS / GLONASS
Application Programming	ONVIF (Profile S, Profile G), API, CGI
Automatic Network Replenishment (ANR)	Supported
Alarm	
Alarm Triggers	Alarm input / Network disconnect / Disk full / Disk error
Intelligent	PTZ Camera: Motion detection / Tampering / Guard line / Enter guard area / Exit guard area / Object left / Object removal / Gathering / Audio surge / Facial recognition (Optional) / Offline comparison
	Panoramic Camera: Motion detection / Tampering / Guard line / Enter guard area / Exit guard area / Object left / Object removal / Gathering / Audio surge / Auto tracking
Alarm Events	Alarm report / Recording / Text overlay / Snapshot / External output / Email notice / Acoustic alarm
Interfaces	
Ethernet	10/100M, RJ45 interface
GPS	Built-in GPS module
Audio In / Out	1 x Line In / 1 x Line out
Memory Slot	3 x Micro SD card slot, supports up to 256GB / slot
Environmental	
Operating Temperature	-40°C ~ 70°C / -40°F ~ 158°F
Operating Humidity	10% ~ 95%
Protection Level	IP67, TVS 6000V lightning protection, surge protection and voltage transient protection
Electrical	
Power	DC9 ~ 36V
Power Consumption	Max. 36W (IR on)
Mechanical	
Weight	7 kg / 15.4lb (Gross Weight)
Dimensions	Φ245 x 412.5 mm / Φ9.6" x 16.2"