

NVR

## 16 CH NVR

8MP/6MP/5MP/4MP/3MP/1080P/720P HD NVR



# SP-3116B1



SP-3116B1 supports 16 CH 8MP/6MP/5MP/4MP/3MP/1080P/1280×1024/960P/720P high definition IP video input, which adopts the most advanced SOC technique to ensure high definition recording in each channel and realize outstanding robustness of the system.

SP-3116B1 supports 16 CH IP input, simultaneous 16 CH playback, and 4K ultra-high definition display. The series of product can meet different security requirements of home, financial, commerce, enterprise, transportation and government, etc.



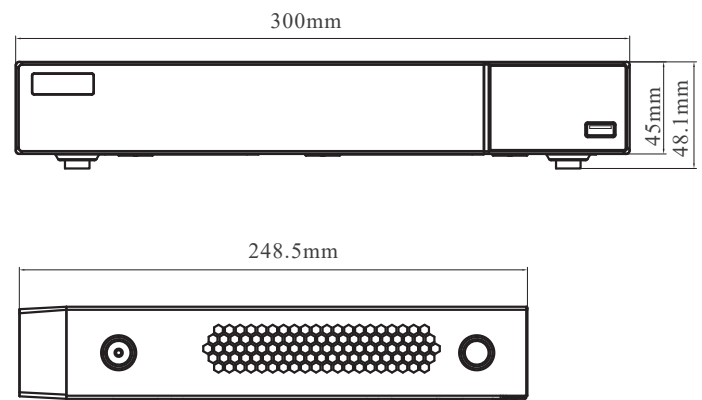
## Specifications

Model		SP-3116B1
System	OS	Embedded Linux
Video	Network Input	16 CH IPC input
	Network Input Resolution	8MP/6MP/5MP/4MP/3MP/1080P/1280×1024/960P/720P/960H/D1/CIF
	Output	HDMI × 1 : 3840×2160/1920×1080/1280×1024/1024×768 VGA: 1920×1080/1280×1024/1024×768
	Compression	H.265S/H.265+/H.265/H.264
Audio	Network Input	16 CH IPC audio input
	2-way Audio	RCA × 1
	Local Output	RCA × 1
	Compression	G.711(U/A)
Live View	Decoding Capability	1CH 8MP; 4CH 1080P
Record	Record Stream	Dual stream recording
	Resolution	8MP/6MP/5MP/4MP/3MP/1080P/1280×1024/960P/720P/960H/D1/CIF
	Frame Rate	N:30fps; P:25fps
Playback	Simultaneous Playback	Max. 16 CH
	Search	Time slice / time / event / tag / smart search
	Smart Search	Highlighted color to display the camera record in a certain period of time, different colors refers to different record events
	Function	Play, pause, FF, FB, digital zoom, etc.
Alarm	Mode	Manual, sensor, motion, exception, smart events
	Input	Supports IPC alarm input
	Output	Supports IPC alarm output
	Triggering	Record, snap, preset, e-mail, etc.
Network	Interface	RJ 45 1000Mbps × 1
	Protocol	TCP / IP, PPPoE, DHCP, DNS, DDNS, UPnP, NTP, SMTP, HTTP, HTTPS, 802.1x, ONVIF, etc.
	Incoming Bandwidth	112Mbps
	Outgoing Bandwidth	112Mbps
	Client Connection	Max. 10 users access
Mobile Device	OS	iOS, Andriod
Storage	HDD Interface	SATA3.0 × 1, max 8T
	Local Backup	U disk, USB mobile HDD
Backup	Network Backup	Yes
	USB	USB 2.0 × 2
Port	Remote Controller	Optional
	Power Supply	DC 12V/1.5A
Others	Consumption	≤ 10W ( without HDD )
	Dimensions (mm)	300 × 249 × 45 ( W × D × H )
	Working Environment	-10 ~ 50°C, 10% ~ 90% humidity
	Certificate	CE, FCC
	Environmental Protection	Complies with Directive EU RoHS, REACH and WEEE

## Features

- Supports 16CH 8MP/6MP/5MP/4MP/3MP/1080P/ 960P/720P/1280×1024/960P/720P/960H/D1/CIF IP video input
- H.265S / H.265+ / H.265 / H.264 coding
- Intuitive and user-friendly Graphic User Interface ( GUI ), Windows style operation by mouse
- Multi-mode recording: manual / timed / motion / sensor / POS / AI recording
- Playback : 16CH simultaneous playback
- Search : time slice, time, event, tag and smart search
- Supports multiple VCA (Video Content Analytics) events, such as object abandoned/missing, region intrusion, tripwire, video exception, etc.
- Supports POS information overlay on live view and playback
- Express and flexible backup via USB, network and so on
- Pentaplex : preview, record, playback, backup and remote access
- DHCP, DDNS, PPPoE network protocol and CMS supported
- Remote control via Web or CMS : preview, playback, backup, PTZ and configuration
- Dual stream technology for local storage with high definition, remote network transmission and remote surveillance with mobile device
- Multi-user online simultaneously
- Authorization management, log view and device status view
- 4K output, true high resolution display
- Supports NAT function and QRCode scanning by mobile phones
- Powerful mobile surveillance by smart phones with iOS and Andriod OS

## Dimensions



### Rear Panel

#### SP-3116B1

