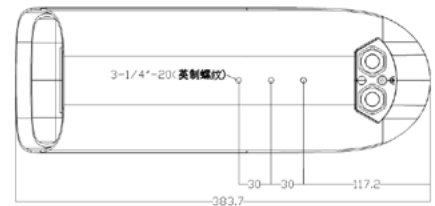


Intelligent Tracking System 2.0

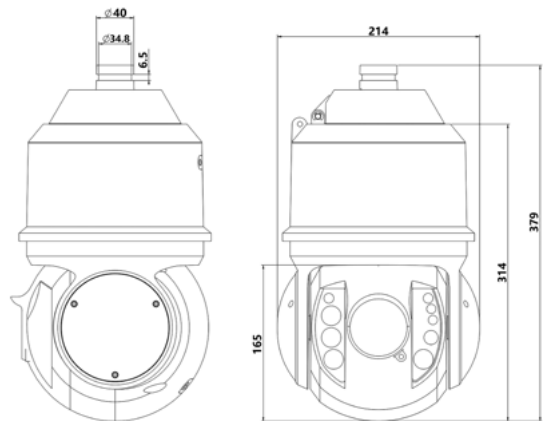


Dimensions Units: mm

IPC2855-F15N



IPC445-i033-N



Features

- 1 bullet camera for panoramic view mode and to locate targets
- Up to 3 PTZ cameras to track and zoom-in on individual targets
- Camera built-in tracking algorithm
- PTZ track for large open space
- High accuracy multi target tracking
- High security virtual fencing zone
- Up to 60 moving targets
- Up to 10000 M² coverage
- High-speed target switching
- Target capturing and characters recognizing
- SDK support

Specifications

	IPC2855-F15N
Camera	
Image Sensor	1/1.8" Progressive Scan CMOS
Pixels	8.0 Megapixel
Min. Illumination	Color: 0.0002Lux @ (F1.0, AGC ON) B/W: 0.0001Lux @ (F1.0, AGC ON)
Shutter Speed	1/7.5 ~ 1/30,000s
Day / Night	Auto (ICR) / Color / B/W
Wide Dynamic Range	Ultra WDR, >=120dB
S/N Ratio	57dB
White Balance	Auto / Manual
Gain Control	Auto / Manual
Backlight Compensation	Off / WDR / BLC / HLC
Lens	
Focal Length	5mm @ F1.0 motorized varifocal lens
Focus Control	Manual / Semi-Automatic / Auto
Infrared	
IR Distance	60 ~ 80m
IR Intensity	Smart IR
Video	
Compression	H.265 / H.264
Image Resolution	Main stream: 4K (3840x2160) Secondary stream: D1
Frame Rate	Main stream: 3840x2160@30fps Secondary stream: D1@30fps
Bitrate	32kbps ~ 32Mbps
Bitrate Control	VBR / CBR
Multi-stream	Supported
Caption	Date and time / Alarm / Direction / Customized
Privacy Masking	Up to 4 zones
Motion Detection	Up to 4 zones
Video Freeze	Supported
Digital Noise Reduction	3D noise reduction
Image Flip	Flip / Mirror
Guard Zone	
Guard Zone Level	up to 3 level, up 8 zones per level
Regional Shield	up to 8 shield areas
Guard Scheme	Disable / Always / Scheduled
Alarm Caption	customized alarm caption supported
Intelligent Tracking	
Distance	up to 120m (Lock target)
Target Number	up to 60 simultaneously
Tracking Mode	Automatic / Semi-automatic
PTZ Camera Model	IPC445-i033-N supported
PTZ Camera Number	up to 3 PTZ cameras supported
Tracking Target Number	up to 3 simultaneously depending on the number of PTZ cameras
Target Tracked Time	Min. 5s / customized
Audio	
Compression	G.711a / G.711u / ADPCM / G.722 / G.722.1c
Bitrate	32kbps ~ 64kbps
Audio Function	Bi-directional audio / AEC / Mixed audio recording / Dumb / Mute
Network	
Network Protocols	TCP/IP, UDP, HTTP, DHCP, DNS/DDNS, RTP/RTCP, RTSP, PPPoE, FTP, VSIP, UPnP, 802.1x, NAT, QoS, SMTP, IPv4, IPv6 (optional)
User Interface	IPC Control (IE, Firefox, Chrome)
Max. User Access	Max. 20 Users (includes 2 internal)
Application Programming	Onvif (Profile S, Profile G), GB/T 28181-2011, API, CGI
Automatic Network Replenishment (ANR)	Supported
Alarm	
Alarm Triggers	Alarm input / Network disconnect / Disk full / Disk error
Intelligent	
	Motion detection / Tampering / Guard line / Defocus / Scene change / Enter guard area / Exit guard area / Object left / Object removal / Gathering / Audio surge
Alarm Events	
	Alarm report / Recording / Text overlay / Snapshot / External output / Email notice / Acoustic alarm
Interfaces	
Ethernet	10/100M/1000M, RJ45 interface
GPS	Build-in GPS module
Audio In / Out	1 x Line in / 1 x Line out
Control	1 x RS485
Alarm In / Out	2 x Input / 1 x Output
Memory Slot	Micro SD card slot, supports up to 256GB
Environmental	
Operating Temperature	-40°C ~ 70°C / -40°F ~ 158°F
Operating Humidity	10% ~ 95%
Protection Level	IP66
Electrical	
Power	AC 24V ± 20%
Power Consumption	Max. 36W
Mechanical	
Weight	2.8kg / 6.17lb (Gross Weight)
Dimensions	983 x 129.9 x 133mm / 15.05" x 5.11" x 5.24"

	IPC445-i033-N
Camera	
Image Sensor	1/1.8" progressive scan CMOS
Pixels	4.0 Megapixel
Min. Illumination	Color: 0.001lux @ (F1.5, AGC ON) B/W: 0.0001lux @ (F1.5, AGC ON); 0lux with IR
Shutter Speed	1 ~ 1/30,000s
Day / Night	Auto (ICR) / Color / B/W
Wide Dynamic Range	Ultra WDR, >=120dB
S/N Ratio	>=55dB
White Balance	Auto / Manual
Gain Control	Auto / Manual
Backlight Compensation	Off / WDR / BLC / HLC
Lens	
Focal Length	4.5 ~ 148.5mm, 33x optical
Zoom Speed	Approx 3s (Optical)
Angle of View	70° ~ 3.8° (Wide~Tele)
Min. Object Distance	300 ~ 1500mm (Wide~Tele)
Max. Aperture Ratio	F1.5 (Wide) / F3.4 (Tele)
Focus Control	Auto / Manual / Semi-Automatic
Infrared	
IR LED	8 pcs IR LED Array
IR Distance	180 ~ 220m
IR Intensity	Automatically adjust according to zoom ratio
Pan and Tilt	
Pan / Tilt Range	360° Endless / -20° ~ 90° (Auto Flip)
Pan / Tilt Speed	Pan manual speed: 0.1° ~ 240°/s; Pan preset speed: 300°/s Tilt manual speed: 0.1° ~ 160°/s; Tilt preset speed: 240°/s Pan / Tilt speed can be adjusted automatically according to zoom multiples
Proportional Zoom	
Preset	512
Patrol	8 Patrols scheme, up to 32 presets per patrol
Pattern Scan	4 Scan paths, each path can record 10 minutes of operation path
Power-off Memory	Power-off memory / Power-on recovery
Auto Guard	Path / Preset / Mixed / Pan scan / Tilt scan / Frame scan / Random scan / Panorama scan
PT Limit	Manual / Scan / Pan
3D Positioning	PTZ control with mouse click and drag
Electronic compass	Built-in O-sensor
Video	
Compression	H.265 / H.264 / MJPEG
Image Resolution	Main stream: 2560 x 1440 Secondary stream: D1
Frame Rate	Main stream: 2560 x 1440@30fps, 1080p@30fps Secondary stream: D1@30fps
Bitrate	32kbps ~ 16Mbps
Bitrate Control	VBR / CBR
Multi-stream	Supported
Caption	Date and time / Alarm / Direction / Customized
Privacy Masking	Up to 4 zones
Motion Detection	Up to 4 zones
Video Freeze	Supported
ROI	Supported
Digital Noise Reduction	3D noise reduction
Digital Defog	Supported
Image Flip	Flip / Mirror
Audio	
Compression	G.711a / G.711u / ADPCM / G.722 / G.722.1c / G.726
Bitrate	32kbps ~ 64kbps
Audio Function	Bi-directional audio / AEC / Mixed audio recording / Dumb / Mute
Intelligent Tracking	
Target Capturing Mode	Automatic
Target Detection	Human silhouette, Vehicle
Captured Picture No.	1 ~ 5
Target Characters	Type / Time of appear / Time of left / Direction / Color / Speed level / Size level / Face
Network	
Network Protocols	TCP/IP, UDP, HTTP, DHCP, DNS/DDNS, RTP/RTCP, RTSP, PPPoE, FTP, VSIP, UPnP, 802.1x, NAT, QoS, SMTP, IPv4, IPv6 (optional)
User Interface	IPC Control (IE, Firefox, Chrome)
Max. User Access	Max. 20 Users (includes 2 internal)
Application Programming	ONVIF (Profile S, Profile G), GB/T 28181-2011, API, CGI
Automatic Network Replenishment (ANR)	Supported
Alarm	
Alarm Triggers	Alarm input / Network disconnect / Disk full / Disk error
Intelligent	
	Motion detection / Tampering / Guard line / Enter guard area / Exit guard area / Object left / Object removal / Gathering / Audio surge
Alarm Events	
	Alarm report / Recording / Text overlay / Snapshot / External output / Email notice / Acoustic alarm
Interfaces	
Ethernet	10/100M, RJ45 interface
Audio In / Out	1 x Line in / 1 x Line out
Control	1 x RS485
Alarm In / Out	4 x Input / 2 x Output
Video Out	1 x BNC, 1.0V [p-p] / 75Ω
Memory Slot	SD card slot, supports up to 256GB
Environmental	
Operating Temperature	-40°C ~ 70°C / -40°F ~ 158°F
Operating Humidity	10% ~ 95%
Protection Level	IP66, TVS 6000V lightning protection, surge protection and voltage transient protection
Electrical	
Power	24V AC / 3A (Power adapter included)
Power Consumption	Max. 45W (IR on)
Mechanical	
Weight	8 kg / 17.6lb (Gross Weight)
Dimensions	Φ214 x 379mm / Φ8.43" x 14.92"