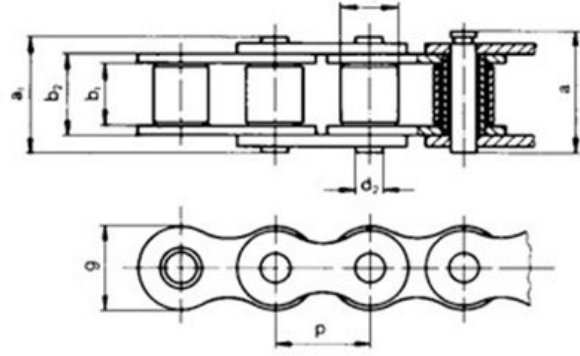


ZİNCİR DIN 8187 BS AVRUPA SERİSİ

AUS
POWER TRANSMISSION



DIN/ISO No.	Ölçü	p (mm)	b1 min (mm)	b2 max (mm)	d2 (mm)	d1 max (mm)	a1 max (mm)	a max (mm)
04B1	6mmx1	6.00	2.80	4.10	1.85	4.00	7.40	10.30
05B1	8mmx1	9.00	3.00	4.77	2.31	5.00	8.60	11.70
05B2	8mmx2	9.00	3.00	4.77	2.31	5.00	14.30	17.40
06B1	3/8x1	9.53	5.72	8.53	3.28	6.35	13.50	16.80
06B2	3/8x2	9.53	5.72	8.53	3.28	6.35	23.30	17.10
06B3	3/8x3	9.53	5.72	8.53	3.28	6.35	34.00	37.30
08B1	1/2x1	12.70	7.75	11.30	4.45	8.51	17.00	20.90
08B2	1/2x2	12.70	7.75	11.30	4.45	8.51	31.00	34.90
08B3	1/2x3	12.70	7.75	11.30	4.45	8.51	44.90	48.80
10B1	5/8x1	15.88	9.65	13.28	5.08	10.16	19.60	23.70
10B2	5/8x2	15.88	9.65	13.28	5.08	10.16	36.20	40.30
10B3	5/8x3	15.88	9.65	13.28	5.08	10.16	52.80	56.90
12B1	3/4x1	19.05	11.68	15.62	5.72	12.07	22.70	27.30
12B2	3/4x2	19.05	11.68	15.62	5.72	12.07	42.20	46.80
12B3	3/4x3	19.05	11.68	15.62	5.72	12.07	61.70	66.30
16B1	1x1	25.40	17.02	25.42	8.28	15.88	36.10	41.50
16B2	1x2	25.40	17.02	25.42	8.28	15.88	68.00	73.40
16B3	1x3	25.40	17.02	25.42	8.28	15.88	99.90	105.30
20B1	1 1/4x1	31.75	19.56	29.01	10.19	19.05	43.20	49.30
20B2	1 1/4x2	31.75	19.56	29.01	10.19	19.05	79.70	85.80
20B3	1 1/4x3	31.75	19.56	29.01	10.19	19.05	116.10	122.20
24B1	1 1/2x1	38.10	25.40	37.92	14.63	25.40	53.40	60.00
24B2	1 1/2x2	38.10	25.40	37.92	14.63	25.40	101.80	108.40
24B3	1 1/2x3	38.10	25.40	37.92	14.63	25.40	150.20	156.80
28B1	1 3/4x1	44.45	30.99	46.58	15.90	27.94	65.10	72.50
28B2	1 3/4x2	44.45	30.99	46.58	15.90	27.94	124.70	132.10
28B3	1 3/4x3	44.45	30.99	46.58	15.90	27.94	184.30	191.70
32B1	2x1	50.80	30.99	45.57	17.81	29.21	67.40	75.30
32B2	2x2	50.80	30.99	45.57	17.81	29.21	126.00	133.90
40B1	1 1/2x1	63.50	38.10	55.75	22.89	39.37	82.60	92.80
40B2	1 1/2x2	63.50	38.10	55.75	22.89	39.37	154.90	165.10
48B1	3x1	76.20	45.72	70.56	29.24	48.26	99.10	109.60