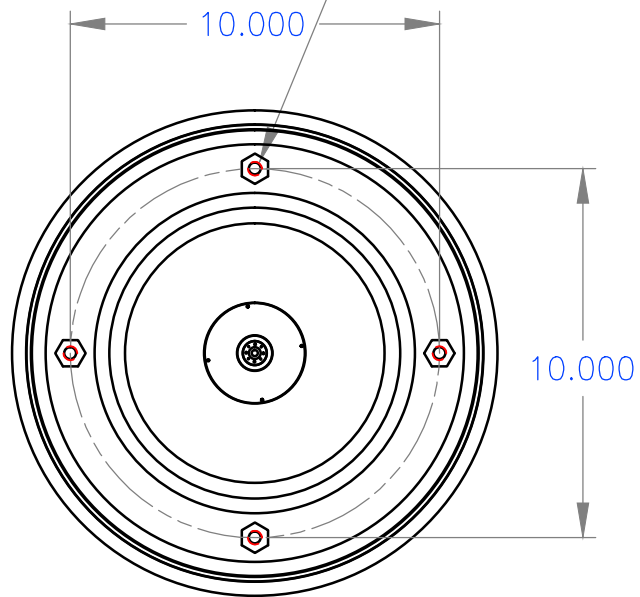
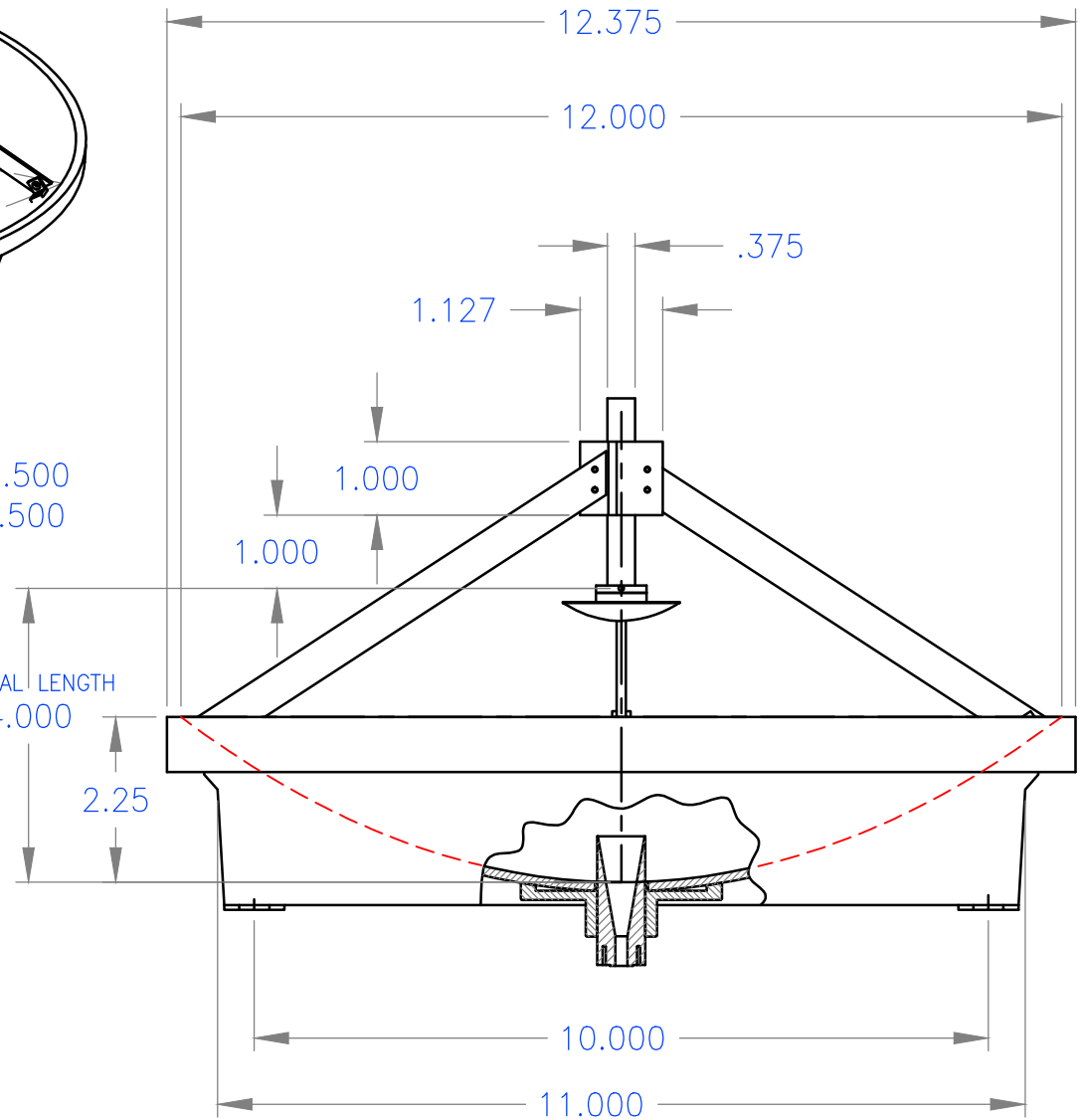


$\phi .156 \times \phi .313 \nabla .500$   
 $3/8-16 \text{ UNC } \nabla .500$



BOTTOM VIEW  
 SCALE 1:2



	NAME	DATE	TITLE: Mi-Wave Millimeter Products Inc.		
DRAWN	JV	12-6-13	SIZE	DWG. NO.	REV
CHECKED	MS	12-6-13	A	223-12 DISH OUTLINE	
MATL	ASSEMBLY		SCALE: 1:1	WEIGHT:	SHEET 1 OF 1