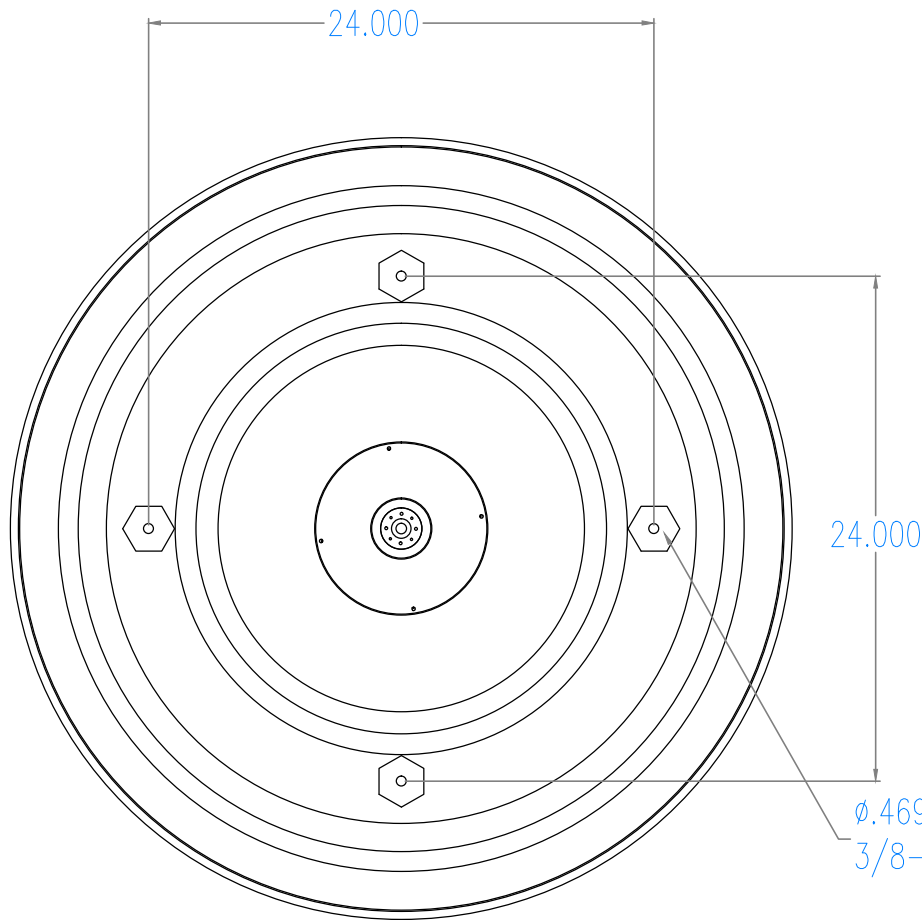
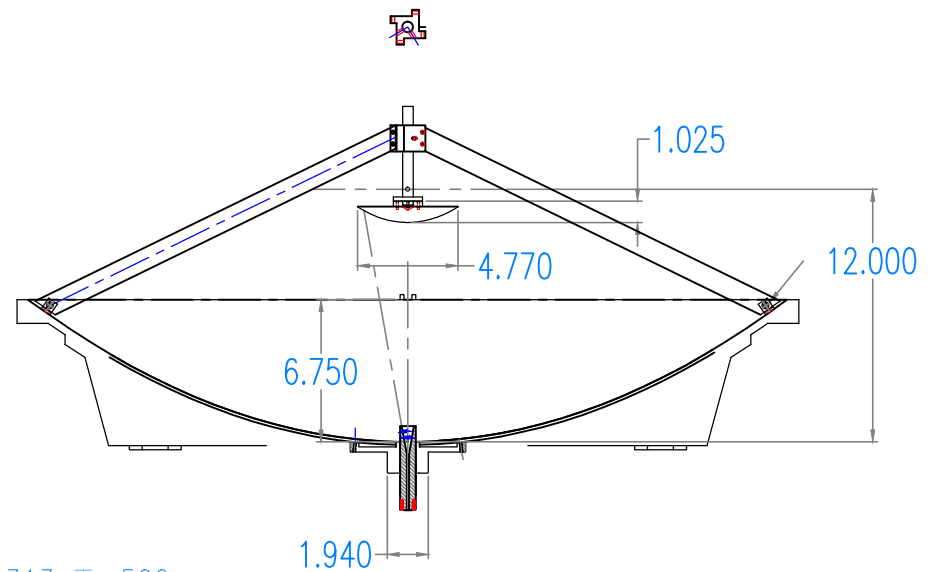
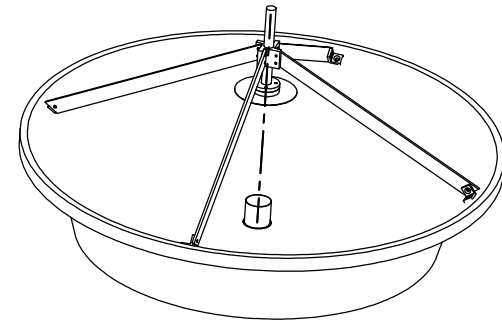


|  |  |  |  |
|--|--|--|--|
|  |  |  |  |
|--|--|--|--|



BOTTOM VIEW

Ø.469X Ø .313 ▽ .500  
 3/8-16 UNC ▽ .500



|   |                                     |   |                                |
|---|-------------------------------------|---|--------------------------------|
| DECIMALS: XXXX ±.0005<br>XXX ±.005<br>XX ±.01 | NAME: JV<br>DATE: 7-15-15           | TITLE: Mi-Wave Millimeter Products Inc. |                                |
| ANGLES: ±.5 DEGRESS                           | DRAWN: JV<br>CHECKED: MS<br>ENG: MS | SIZE: A                                 | DWG. NO.: 223E-36 DISH OUTLINE |
| THIRD ANGLE PROJECTION                        | MATL:                               | SCALE: 1:4                              | WEIGHT:                        |
|   |                                     |   | REV: SHEET 1 OF 1              |