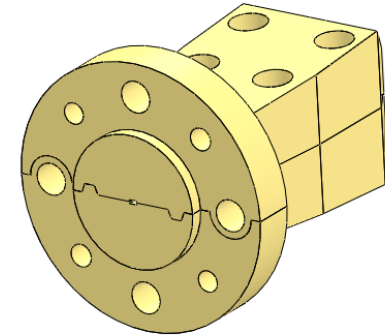
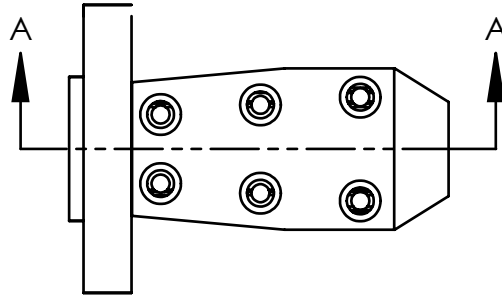
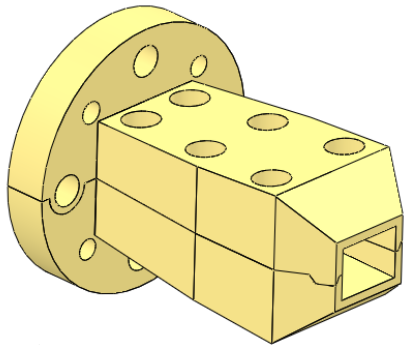
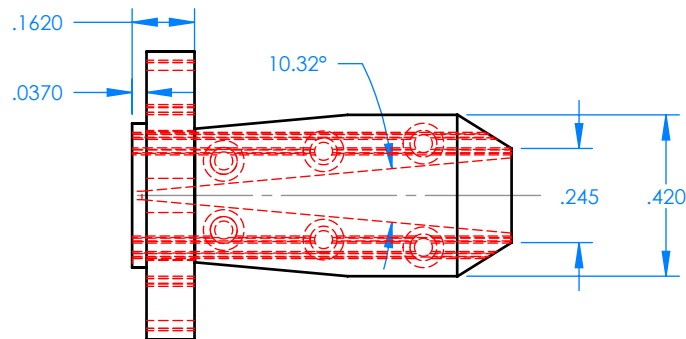
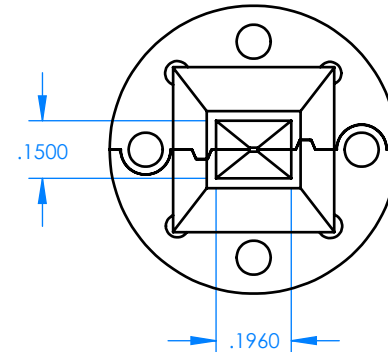
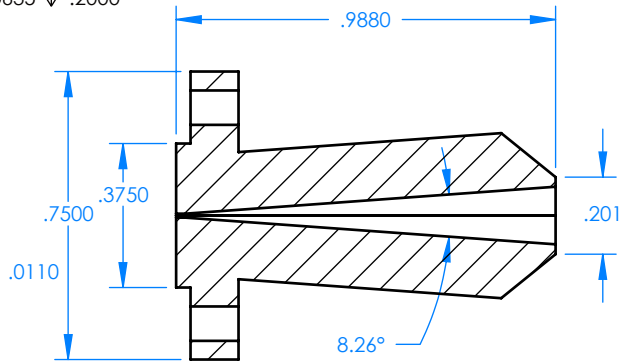
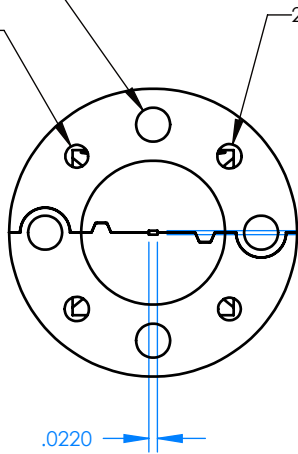


REVISIONS			
REV	DESCRIPTION	DATE	APPROVED
--	--	--	--



4X ϕ .0890 ∇ .2500
 4-40 UNC ∇ .2000
 2X ϕ .0595 ∇ .2000
 2X ϕ .0635 ∇ .2000



DECIMALS: XXXX \pm .0005
 XXX \pm .005
 XX \pm .01
 ANGLES: \pm .5 DEGREE

THIRD ANGLE PROJECTION

	NAME	DATE
DRAWN	JV	9-24-15
CHECKED	MS	9-24-15
ENG	MS	9-24-15

MATL:
 1-2 HARD BRASS

TITLE: **Mi-Wave Millimeter Products Inc.**

SIZE DWG. NO. **A 261-2.2_25db_387_Assem_23067**

SCALE: 2:1

WEIGHT:

REV

SHEET 1 OF 1