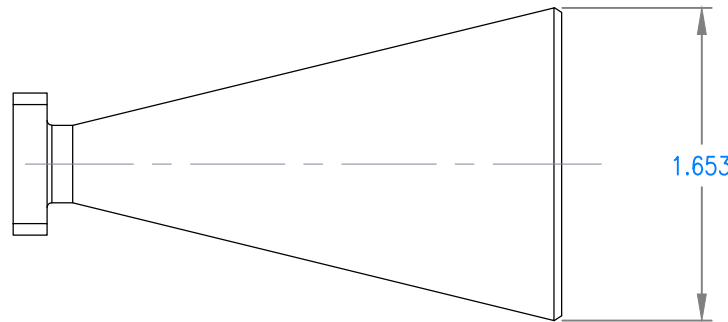
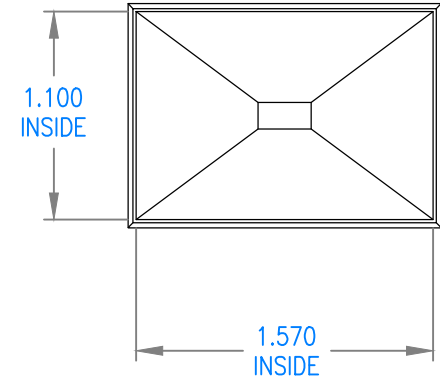
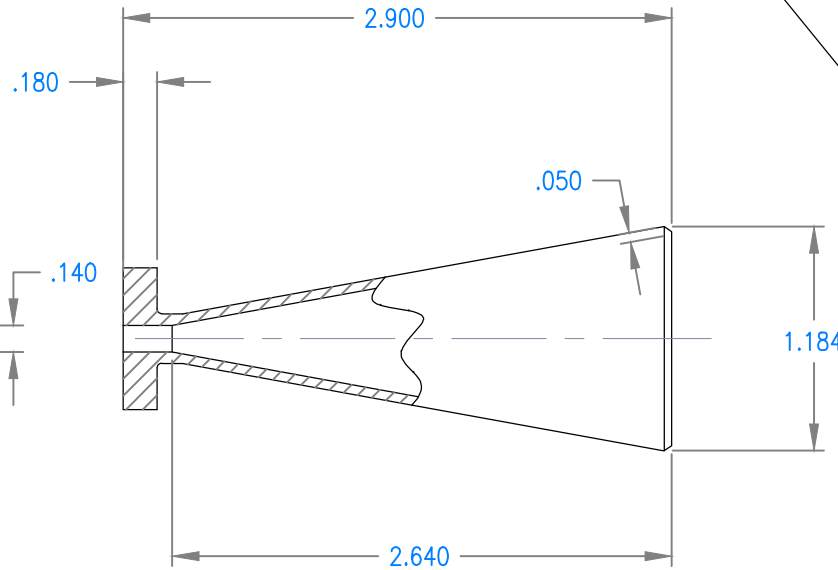
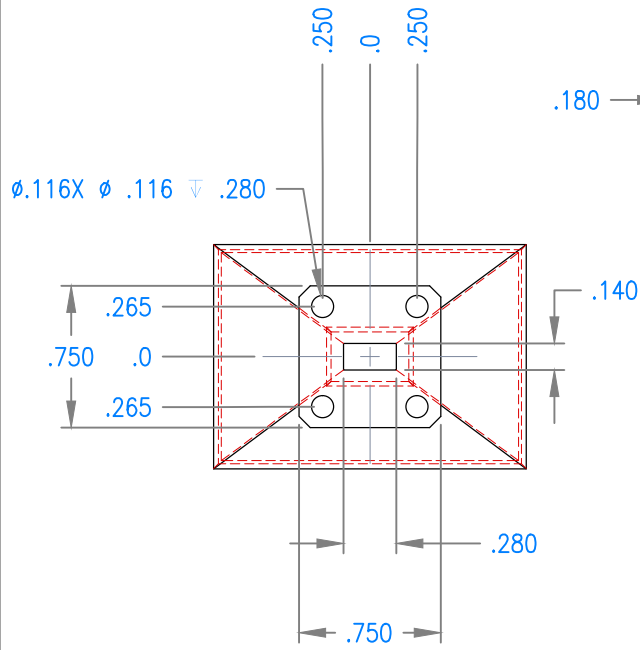
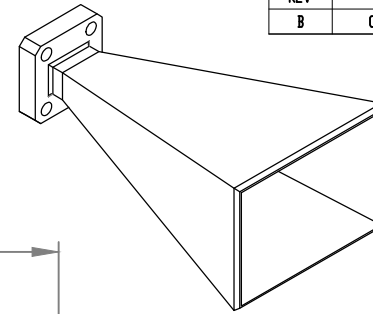


REVISIONS			
REV	DESCRIPTION	DATE	APPROVED
B	COMPLETE RE-DESIGN	9-12-18-	MS



DECIMALS: XXXX ±.0005 XXX ±.005 XX ±.01	ANGLES: ±.5 DEGREE	THIRD ANGLE PROJECTION	MATL: 6061 T6 ALUMINUM	<table border="1"> <tr> <td>DRAWN</td> <td>JV</td> <td>DATE</td> <td>9-12-18</td> </tr> <tr> <td>CHECKED</td> <td>MS</td> <td>DATE</td> <td>9-12-18</td> </tr> <tr> <td>ENG</td> <td>LS</td> <td>DATE</td> <td>9-12-18</td> </tr> </table>	DRAWN	JV	DATE	9-12-18	CHECKED	MS	DATE	9-12-18	ENG	LS	DATE	9-12-18	<table border="1"> <tr> <td>TITLE:</td> <td colspan="3">Mi-Wave Millimeter Products Inc.</td> </tr> <tr> <td>SIZE</td> <td>DWG. NO.</td> <td colspan="2">261A-20-599 OUTLINE</td> </tr> <tr> <td>A</td> <td></td> <td colspan="2"></td> </tr> </table>	TITLE:	Mi-Wave Millimeter Products Inc.			SIZE	DWG. NO.	261A-20-599 OUTLINE		A				<table border="1"> <tr> <td>REV</td> <td>B</td> </tr> <tr> <td colspan="2">SHEET 1 OF 1</td> </tr> </table>	REV	B	SHEET 1 OF 1	
DRAWN	JV	DATE	9-12-18																															
CHECKED	MS	DATE	9-12-18																															
ENG	LS	DATE	9-12-18																															
TITLE:	Mi-Wave Millimeter Products Inc.																																	
SIZE	DWG. NO.	261A-20-599 OUTLINE																																
A																																		
REV	B																																	
SHEET 1 OF 1																																		
SCALE: 1:1			WEIGHT:																															