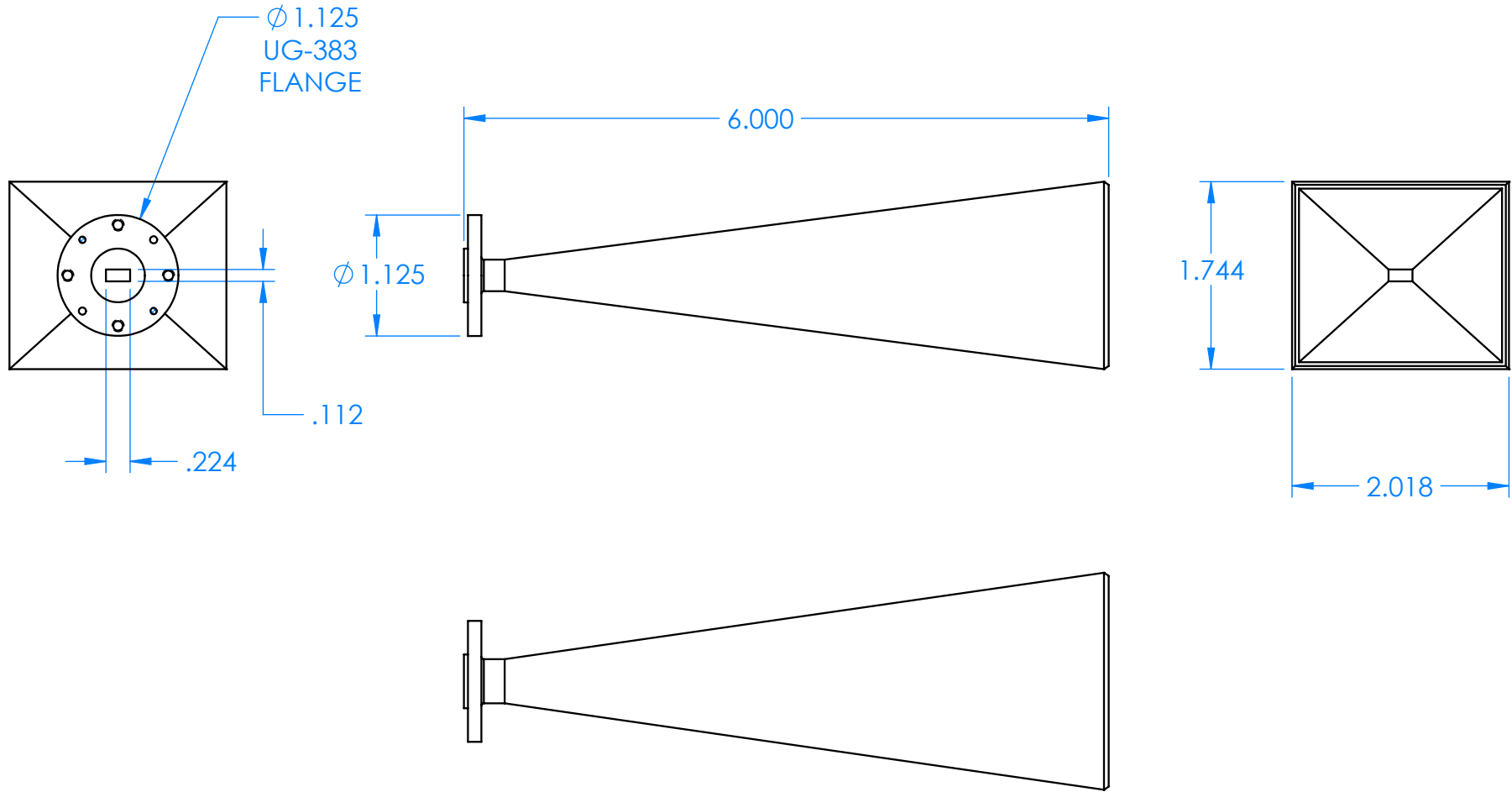


REVISIONS			
REV	DESCRIPTION	DATE	APPROVED
--	--	--	--



**ALL DIMENSIONS ARE  
REFERENCE ONLY**

**ALIGNMENT PINS NOT SHOWN**

DECIMALS: XXXX $\pm .0005$ XXX $\pm .005$ XX $\pm .01$	ANGLES: $\pm .5$ DEGREES	THIRD ANGLE PROJECTION	<table border="1"> <thead> <tr> <th>NAME</th> <th>DATE</th> </tr> </thead> <tbody> <tr> <td>DRAWN JV</td> <td>4-12-16</td> </tr> <tr> <td>CHECKED MS</td> <td>4-12-16</td> </tr> <tr> <td>ENG MS</td> <td>4-12-16</td> </tr> </tbody> </table>	NAME	DATE	DRAWN JV	4-12-16	CHECKED MS	4-12-16	ENG MS	4-12-16	TITLE: <b>Mi-Wave Millimeter Products Inc.</b> SIZE <b>A</b> DWG. NO. <b>261B-25-383_OUTLINE_24045</b>	REV
NAME	DATE												
DRAWN JV	4-12-16												
CHECKED MS	4-12-16												
ENG MS	4-12-16												
MATERIAL: <b>6061 T6 ALUMINUM</b>			SCALE: 2:3	WEIGHT:	SHEET 1 OF 1								