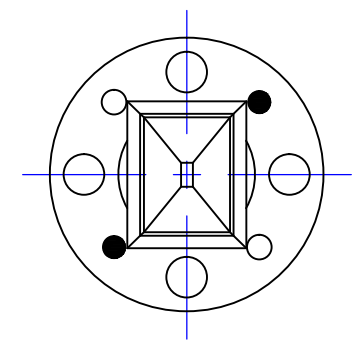
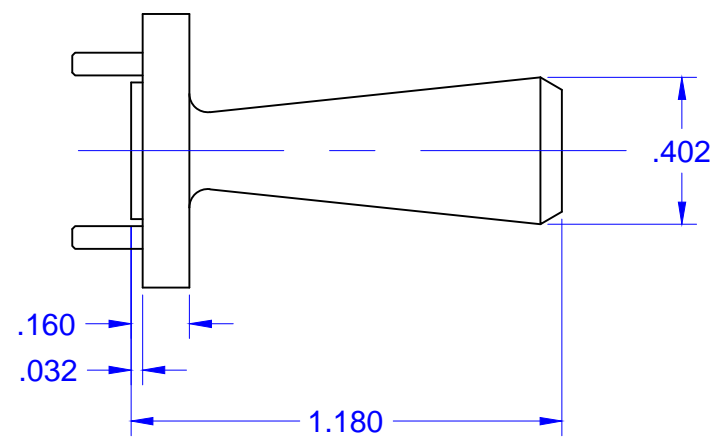
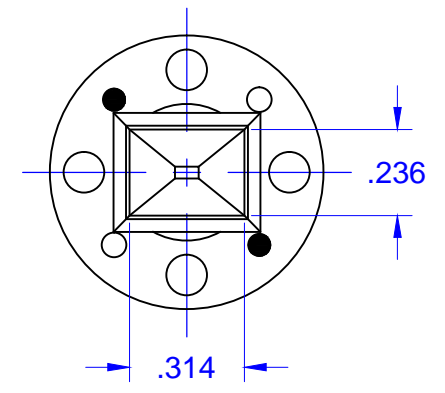
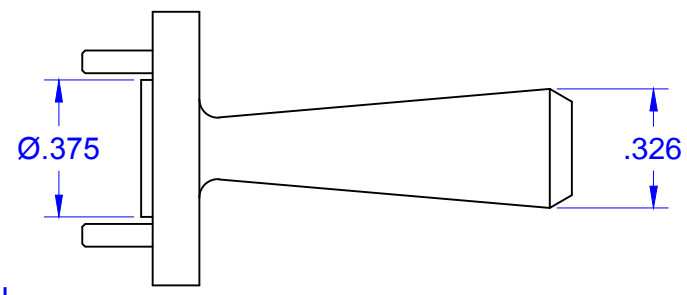
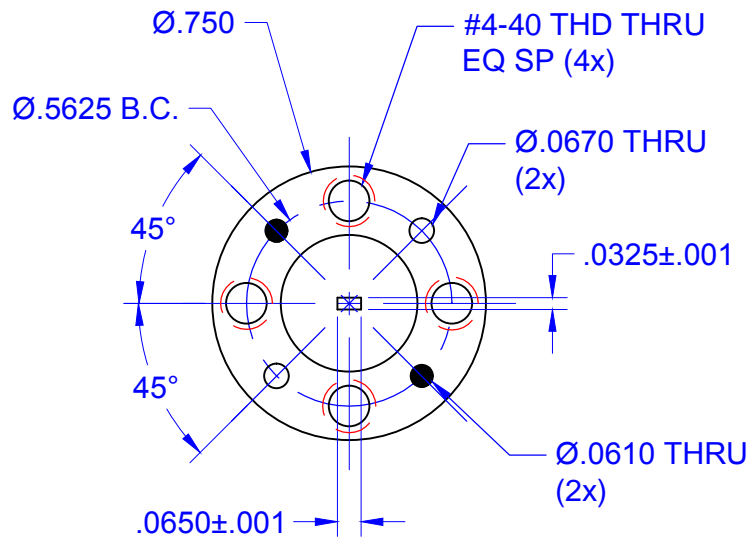


REVISIONS			
REV	DESCRIPTION	DATE	APPROVED
--	--	--	--



ALL DIMENSIONS ARE
REFERENCE ONLY

--	--	MATERIAL: 1/2 HARD BRASS		--
QTY	PART NUMBER	DESCRIPTION		ITEM
UNLESS OTHERWISE SPECIFIED		 THIRD ANGLE PROJECTION	Mi-Wave Millimeter Products Inc. TITLE 261D-20/387 OUTLINE	
ALL SURFACES $\sqrt{32}$				
DIMENSIONS ARE IN INCHES		DRAFTING: MRN		
TOLERANCES ARE:		APPROVED: M.S.		
DECIMALS: .1234 +/- .0005		DATE: 5/24/2010		
.123 +/- .005		SHEET NO. 1		OF 1
.12 +/- .01		SIZE A		DWG NO 24092
ANGLES: +/- .5 DEGREES		ORIGINAL DWG# 20145c		
ALL THREADS TO BE 2A OR 2B				
REF DWG# --				