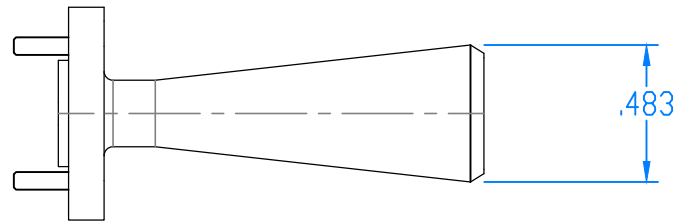
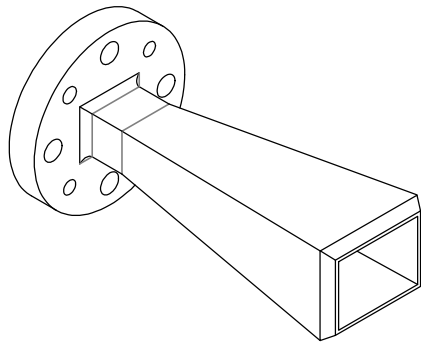
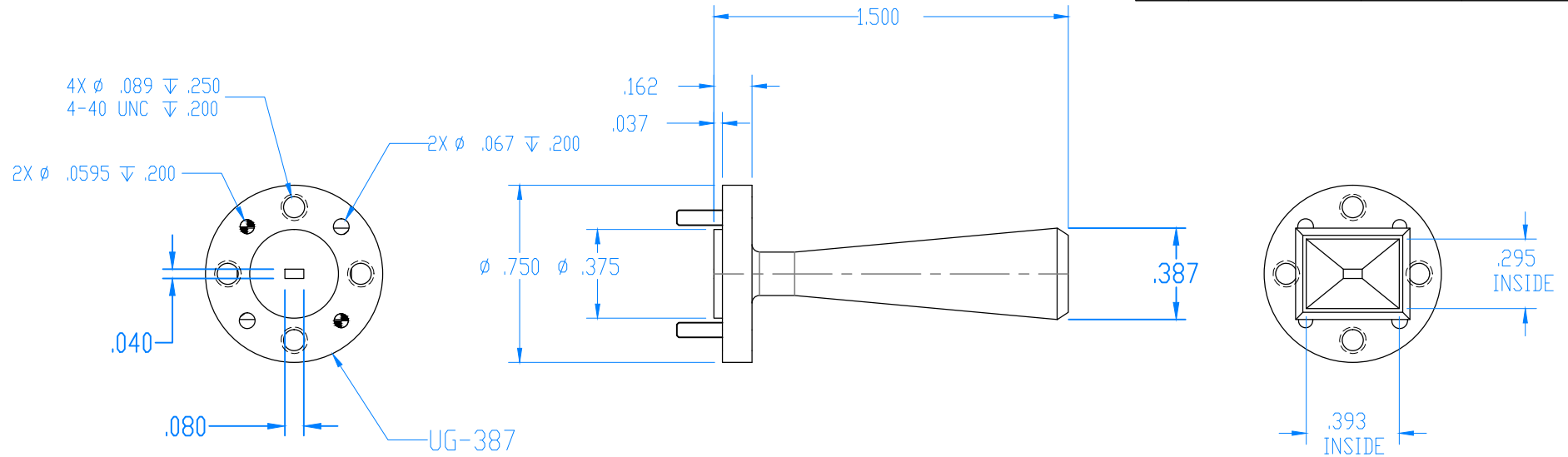
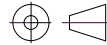


REVISIONS			
REV	DESCRIPTION	DATE	APPROVED
-	-	-	-



ALL DIMENSIONS ARE  
REFERENCE ONLY

DECIMALS: XXXX ±.0005 XXX ±.005 XX ±.01 ANGLES: ±.5 DEGREE	DRAWN	JV	7-27-18	TITLE: Mi-Wave Millimeter Products Inc. SIZE DWG. NO. 261F-20-387_24103 A	REV -
	CHECKED	MS	7-27-18		
	ENG	MS	7-27-18		
THIRD ANGLE PROJECTION 	MATL: 6061 T6 ALUMINUM			SCALE: 3:2	WEIGHT:
					SHEET 1 OF 1