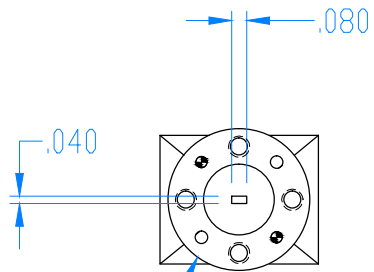
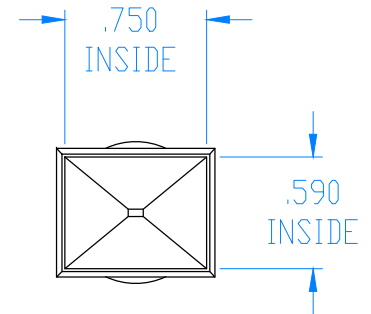
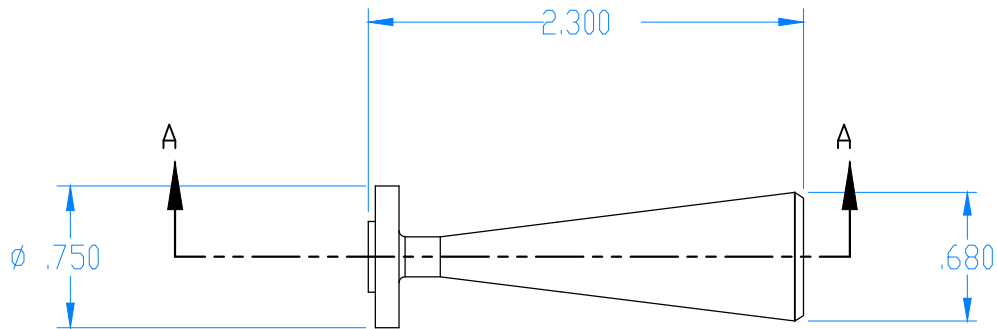


SECTION A-A



387 FLANGE



25 db GAIN @ 90-140 GHz
WR-8 F-BAND

DECIMALS: XXXX ±.0005 XXX ±.005 XX ±.01 ANGLES: ±.5 DEGREE THIRD ANGLE PROJECTION	DRAWN JV 10-17-14	NAME DATE MS 10-17-14	TITLE: Mi-Wave Millimeter Products Inc.
	CHECKED MS 10-17-14	ENG MS 10-17-14	SIZE DWG. NO. 261F-25-387_OUTLINE_23598
	MATL: 1/2 HARD BRASS	A	SCALE: 1:1
		WEIGHT:	REV SHEET 1 OF 1