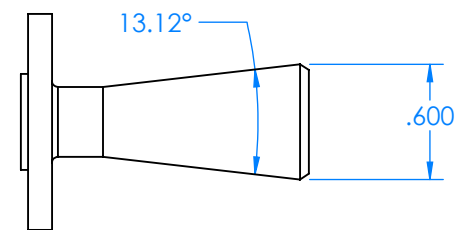
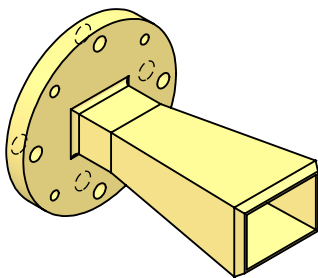
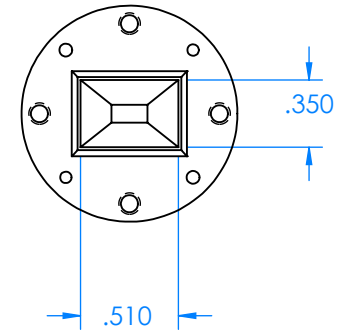
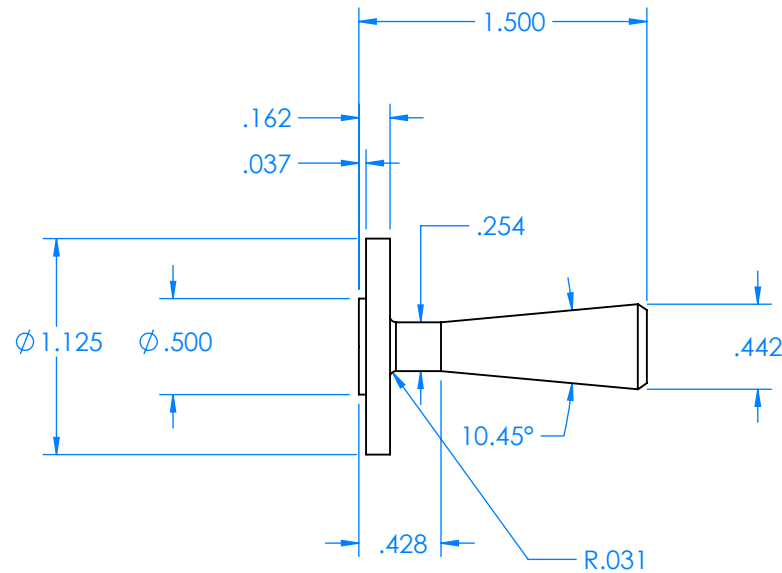
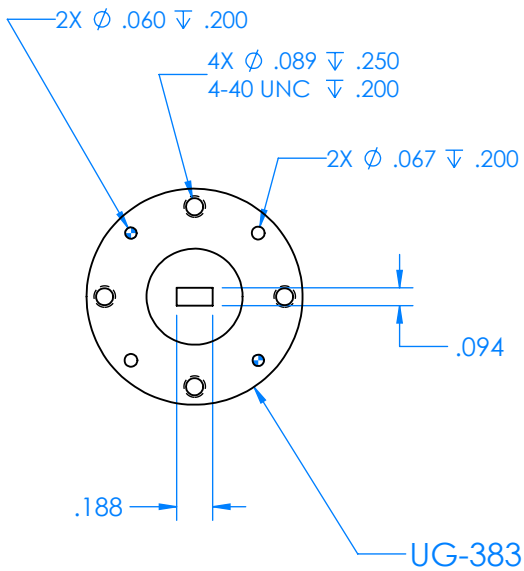


REVISIONS			
REV	DESCRIPTION	DATE	APPROVED
-	-	-	-



**ALL DIMENSIONS
 ARE REFERENCE ONLY**

DECIMALS: XXXX \pm .0005 XXX \pm .005 XX \pm .01 ANGLES: \pm .5 DEGRESS	DRAWN JV 7-27-18 CHECKED MS 7-27-18 ENG MS 7-27-18	NAME DATE MS 7-27-18	TITLE: Mi-Wave Millimeter Products Inc.	SIZE DWG. NO. 261U-15-383_OUTLINE_24096	REV -
THIRD ANGLE PROJECTION	MATL: 6061 T6 ALUMINUM	SCALE: 1:1	WEIGHT:	SHEET 1 OF 1	