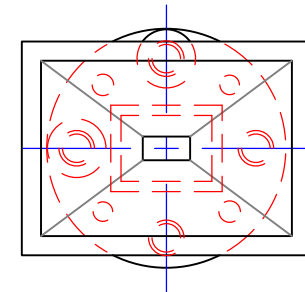
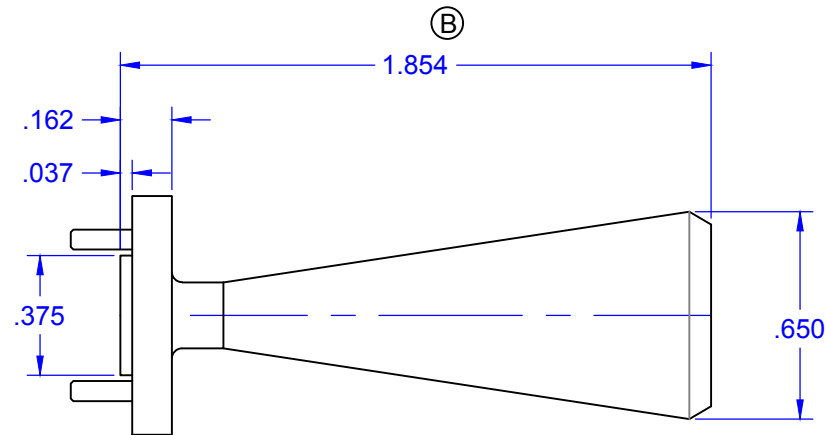
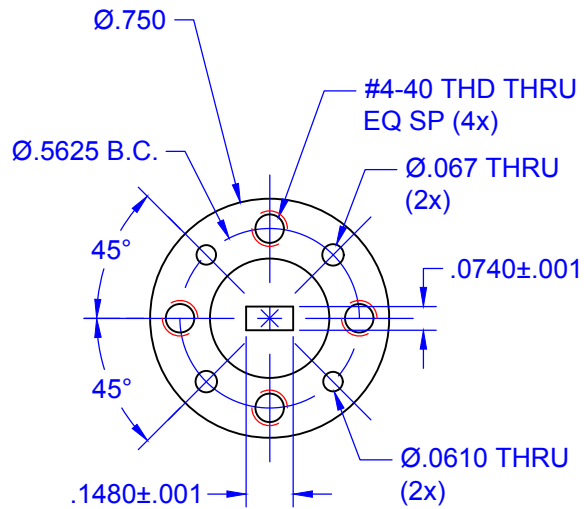
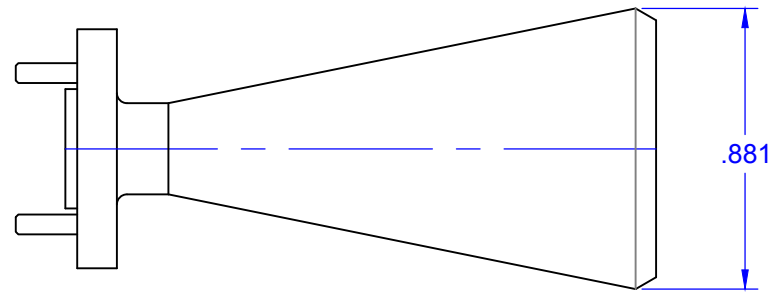


REVISIONS			
REV	DESCRIPTION	DATE	APPROVED
B	1.854 WAS 1.574	4-14-14	MS



ALL DIMENSIONS ARE
REFERENCE ONLY

QTY	PART NUMBER	MATERIAL: ALUMINUM		DESCRIPTION	ITEM
UNLESS OTHERWISE SPECIFIED		 THIRD ANGLE PROJECTION		Mi-Wave Millimeter Products Inc. TITLE 261V-20/385 OUTLINE	
ALL SURFACES $\sqrt{32}$					
DIMENSIONS ARE IN INCHES		DRAFTING: JV		SIZE A	
TOLERANCES ARE:		APPROVED: M.S.			
DECIMALS: .1234 +/- .0005		DATE: 11/1/2012		DWG NO 24054	
.123 +/- .005		SHEET NO. 1 OF 1			
.12 +/- .01		REF DWG# --		REV B	
ANGLES: +/- .5 DEGREES					
ALL THREADS TO BE 2A OR 2B					