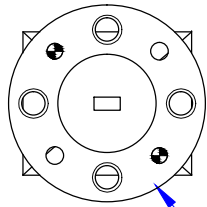
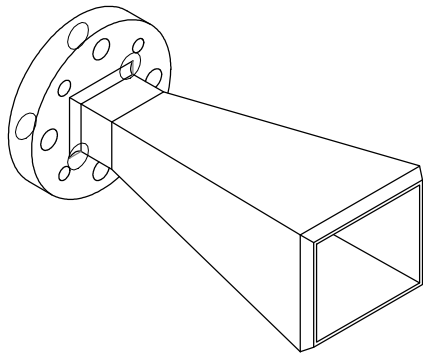
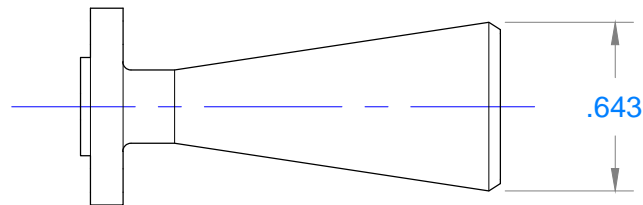
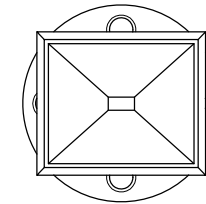
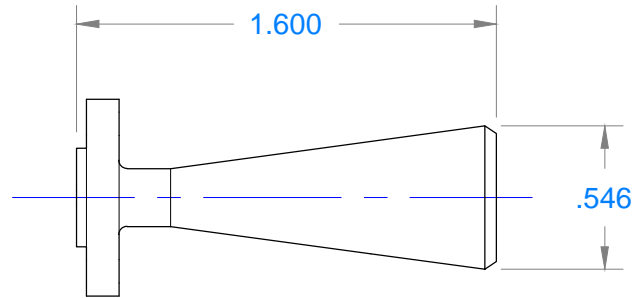


REVISIONS			
REV	DESCRIPTION	DATE	APPROVED
--	--	--	--



UG-387/U-M FLANGE  
WR-10 WAVEGUIDE



QTY	PART NUMBER	OUTLINE DESCRIPTION		ITEM
		Mi-Wave Millimeter Products Inc.		
UNLESS OTHERWISE SPECIFIED ALL SURFACES 32		THIRD ANGLE PROJECTION		
DIMENSIONS ARE IN INCHES TOLERANCES ARE: DECIMALS: .1234 +/- .0005 .123 +/- .005 .12 +/- .01 ANGLES: +/- .5 DEGREES		DRAFTING: JV		
ALL THREADS TO BE 2A OR 2B		APPROVED: M.S.		
REF DWG# --		DATE: 11-24-14		
ORIGINAL DWG# 20025b		SHEET NO. 1	OF 1	SIZE A
		DWG NO 20058		
		TITLE 261W-20/387 OUTLINE		