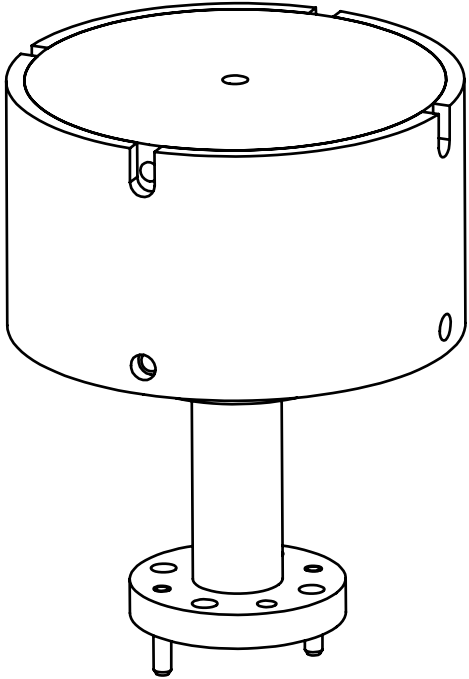
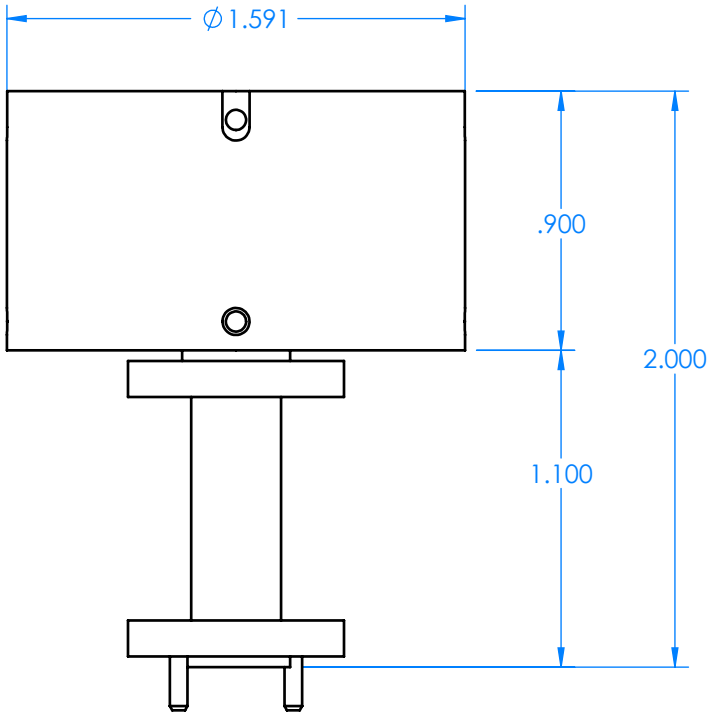
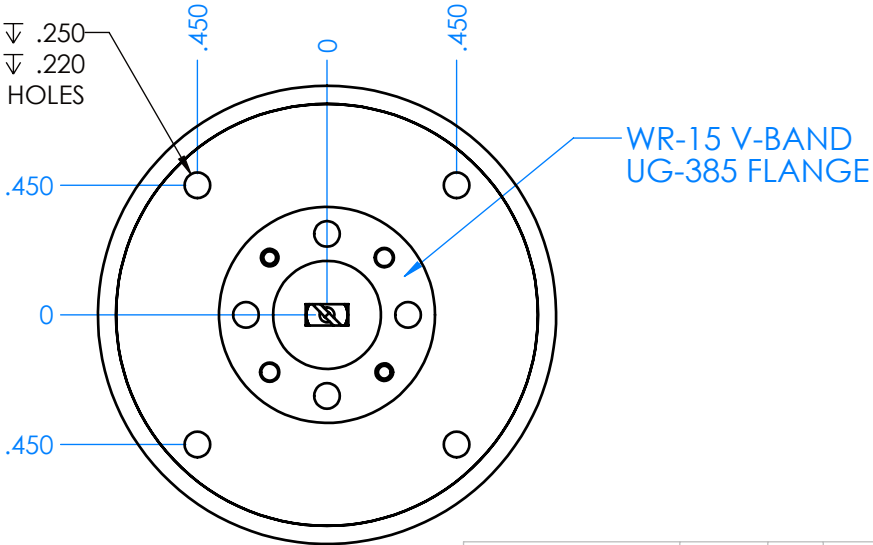


REVISIONS			
REV	DESCRIPTION	DATE	APPROVED
--	--	--	--



4X $\text{Ø} .089 \nabla .250$
 4-40 UNC $\nabla .220$
 MOUNTING HOLES



DECIMALS: XXXX $\pm .0005$ XXX $\pm .005$ XX $\pm .01$	NAME	DATE
ANGLES: $\pm .5$ DEGREE	DRAWN	JV 8-4-17
THIRD ANGLE PROJECTION	CHECKED	MS 8-4-17
	ENG	MS 8-4-17
	MATL:	

TITLE:	Mi-Wave Millimeter Products Inc.		REV
SIZE	DWG. NO.	267V-60-385_OUTLINE_23671	
A			
SCALE: 3:2	WEIGHT:		SHEET 1 OF 1