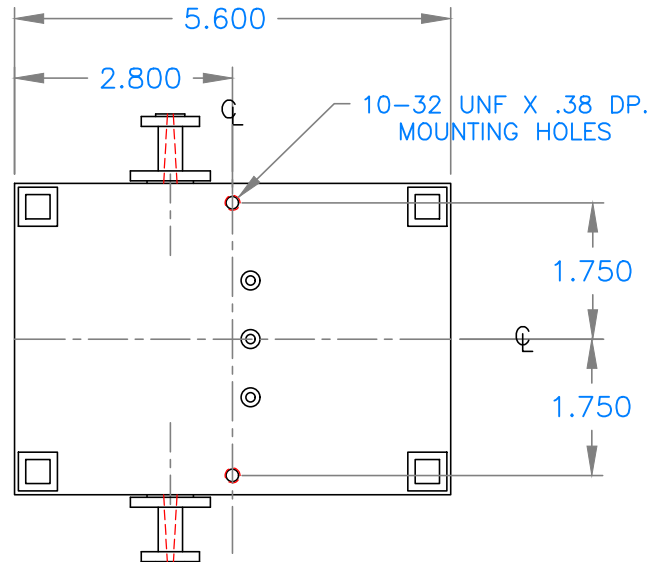
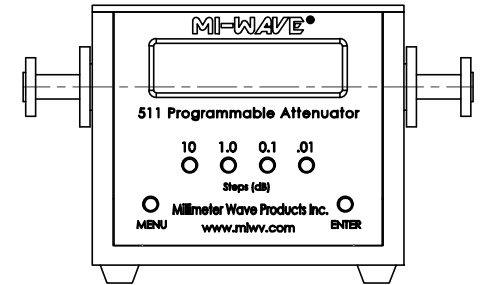
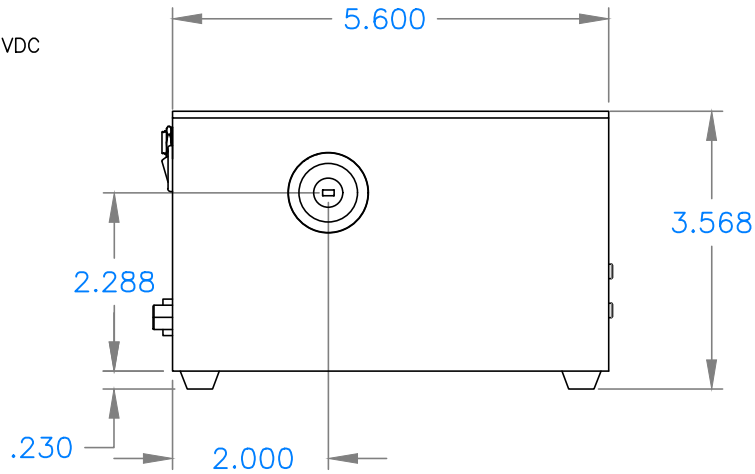
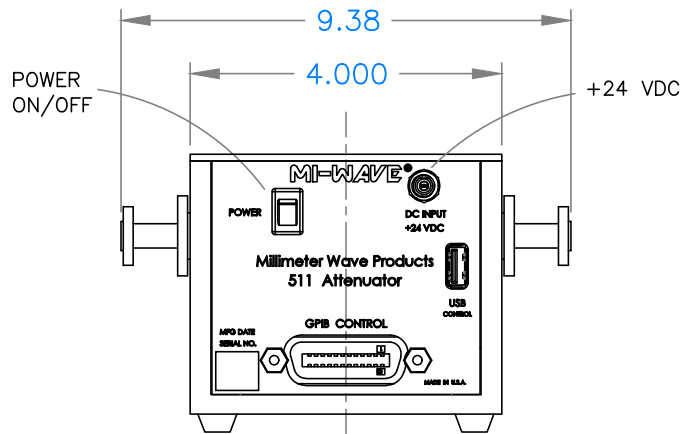


| REVISIONS | | | |
|-----------|-------------|------|----------|
| REV | DESCRIPTION | DATE | APPROVED |
| - | - | - | - |



ALL DIMENSIONS REF ONLY

| QTY | PART NUMBER | OUTLINE DESCRIPTION | | ITEM |
|--|-------------|---|---------|---------------|
| | | Mi-Wave Millimeter Products Inc. | | |
| UNLESS OTHERWISE SPECIFIED ALL SURFACES $\sqrt{32}$ | | THIRD ANGLE PROJECTION | | TITLE |
| DIMENSIONS ARE IN INCHES TOLERANCES ARE: DECIMALS: .1234 +/- .0005 .123 +/- .005 .12 +/- .01 ANGLES: +/- .5 DEGREES | | DRAFTING: JV APPROVED: M.S. DATE: 7-17-18 | | 511KB_OUTLINE |
| ALL THREADS TO BE 2A OR 2B | | SHEET NO. 1 | OF 1 | SIZE A |
| REF DWG# --- | | DWG NO 25436 | | REV --- |