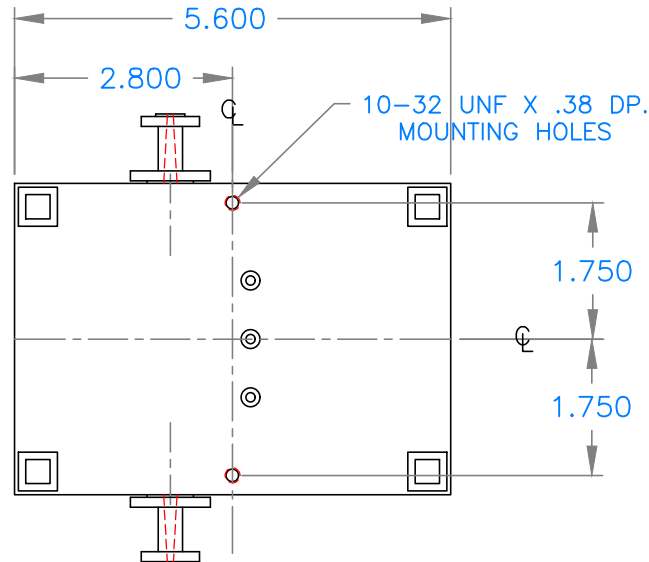
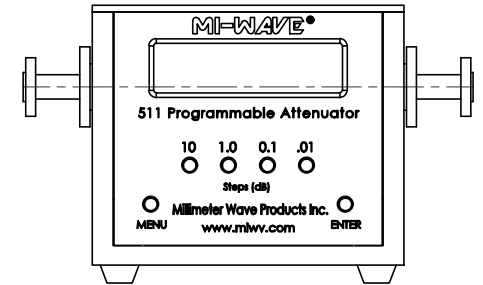
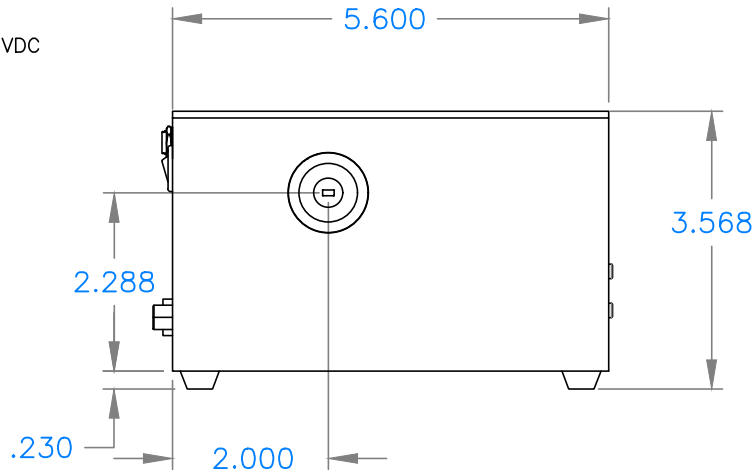
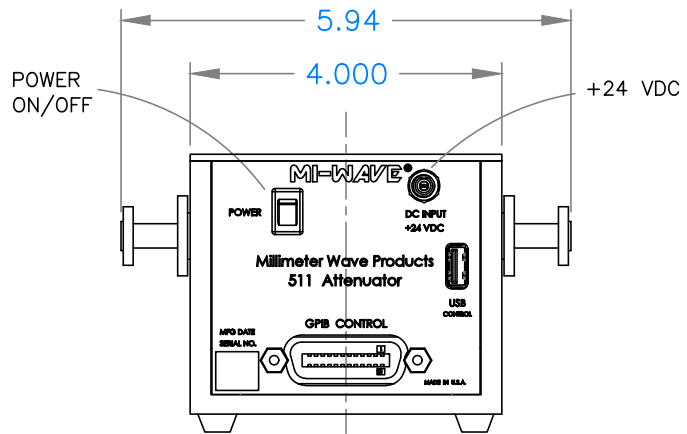


REVISIONS			
REV	DESCRIPTION	DATE	APPROVED
-	-	-	-



ALL DIMENSIONS REF ONLY

QTY	PART NUMBER	OUTLINE DESCRIPTION		ITEM
		<p>THIRD ANGLE PROJECTION</p>		
UNLESS OTHERWISE SPECIFIED ALL SURFACES $\sqrt{32}$		Mi-Wave Millimeter Products Inc.		
DIMENSIONS ARE IN INCHES TOLERANCES ARE: DECIMALS: .1234 +/- .0005 .123 +/- .005 .12 +/- .01 ANGLES: +/- .5 DEGREES		TITLE 511U_OUTLINE		
ALL THREADS TO BE 2A OR 2B REF DWG# ---		DRAFTING: JV APPROVED: M.S. DATE: 7-17-18	SHEET NO. 1 OF 1 SIZE A DWG NO 25439	REV --