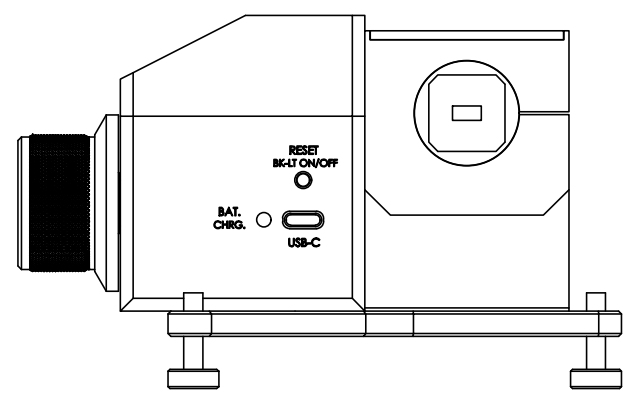
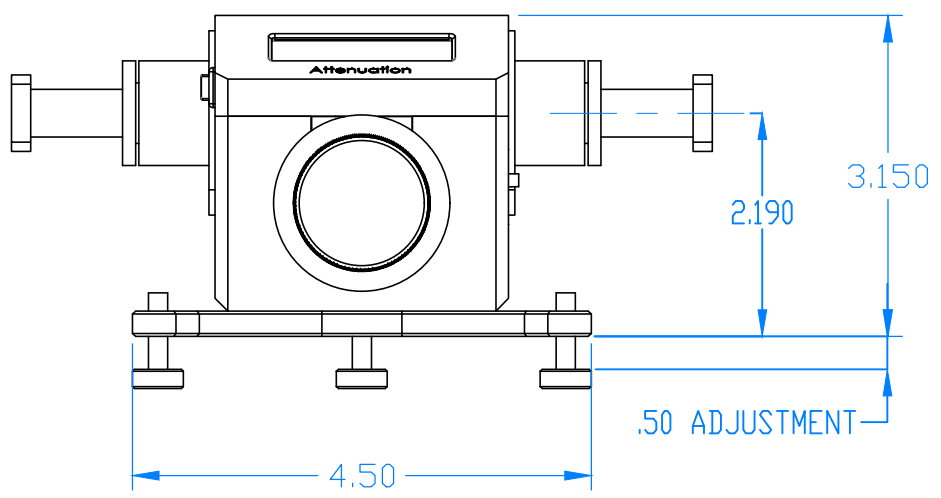
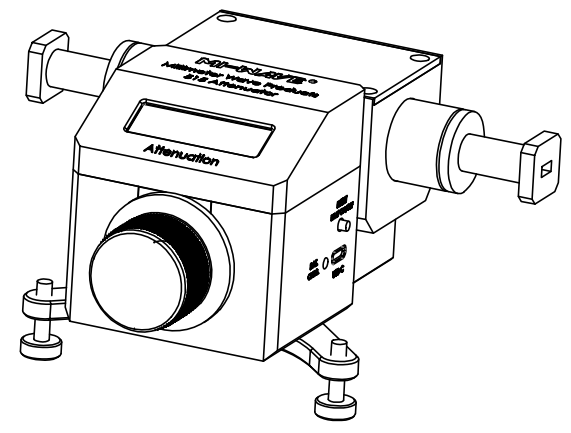
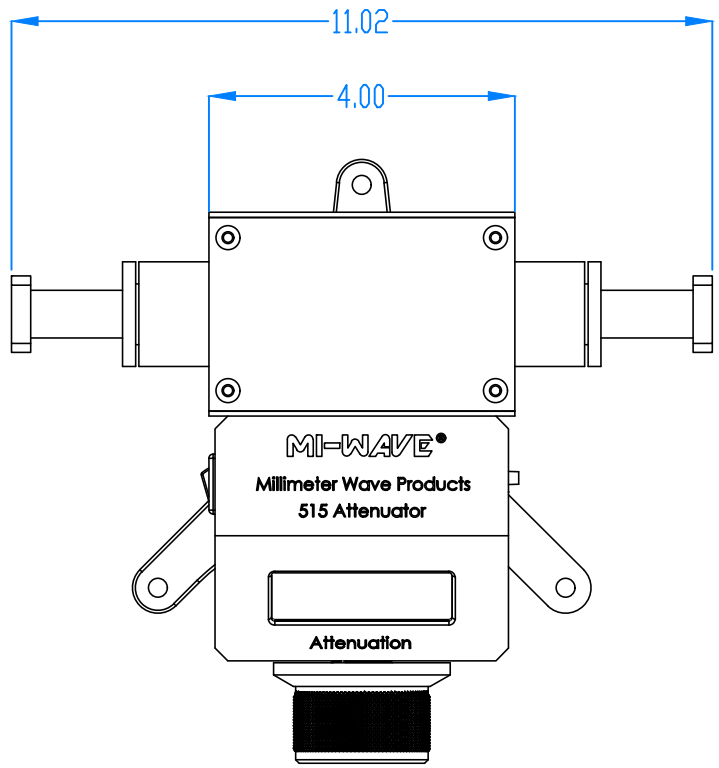
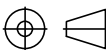


REVISIONS			
REV	DESCRIPTION	DATE	APPROVED
-	-	-	-



ALL DIMENSIONS ARE
REFERENCE ONLY

DECIMALS: XXXX ±.0005 XXX ±.005 XX ±.01	ANGLES: ± 5 DEGREE	THIRD ANGLE PROJECTION		MATL: 6061 T6 ALUMINUM	<table border="1"> <tr> <th>NAME</th> <th>DATE</th> </tr> <tr> <td>DRAWN JV</td> <td>2-20-20</td> </tr> <tr> <td>CHECKED MS</td> <td>2-20-20</td> </tr> <tr> <td>ENG LS</td> <td>2-20-20</td> </tr> </table>	NAME	DATE	DRAWN JV	2-20-20	CHECKED MS	2-20-20	ENG LS	2-20-20	<table border="1"> <tr> <td>TITLE: Millimeter Wave Products Inc.</td> <td>SIZE: A</td> <td>DWG. NO. 515KU_ATTENUATOR_OUTLINE_25405</td> <td>REV: -</td> </tr> <tr> <td>SCALE: 1:2</td> <td>WEIGHT:</td> <td colspan="2">SHEET 1 OF 1</td> </tr> </table>	TITLE: Millimeter Wave Products Inc.	SIZE: A	DWG. NO. 515KU_ATTENUATOR_OUTLINE_25405	REV: -	SCALE: 1:2	WEIGHT:	SHEET 1 OF 1	
NAME	DATE																					
DRAWN JV	2-20-20																					
CHECKED MS	2-20-20																					
ENG LS	2-20-20																					
TITLE: Millimeter Wave Products Inc.	SIZE: A	DWG. NO. 515KU_ATTENUATOR_OUTLINE_25405	REV: -																			
SCALE: 1:2	WEIGHT:	SHEET 1 OF 1																				