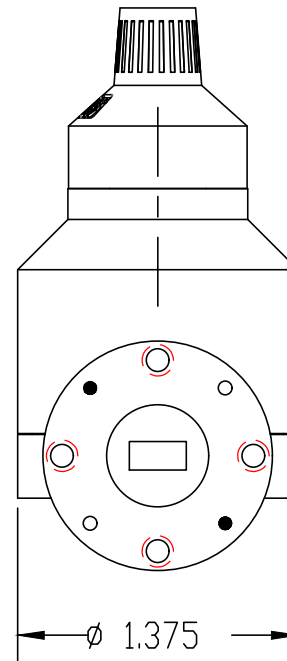
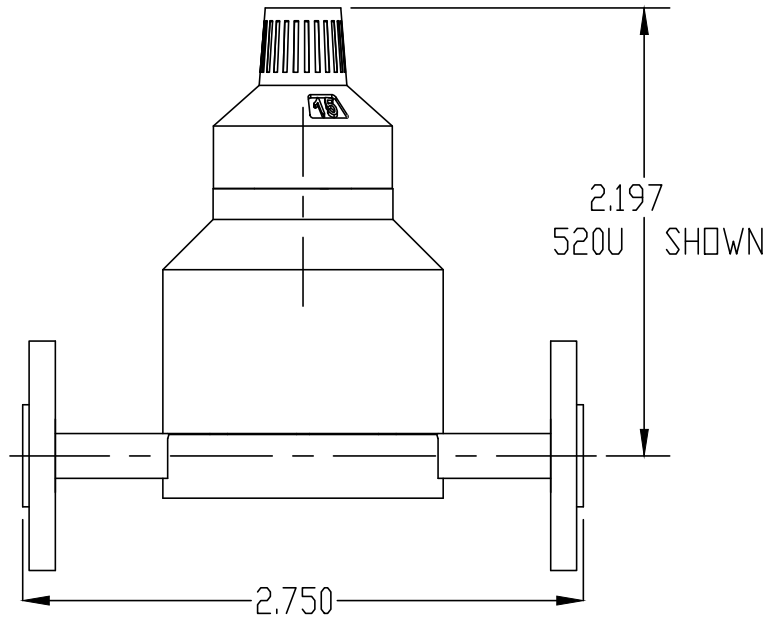
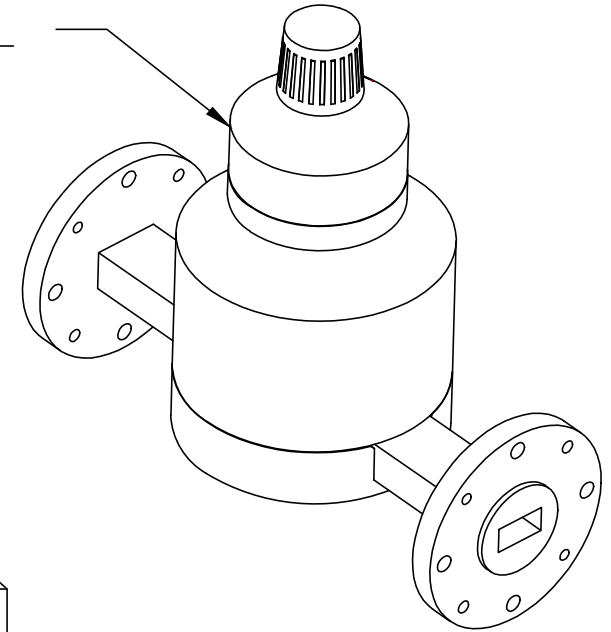
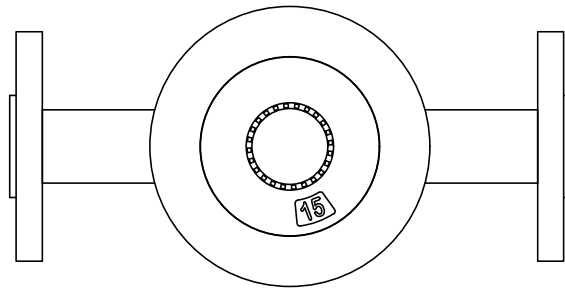


REVISIONS			
REV	DESCRIPTION	DATE	APPROVED
--	--	--	--

15-TURN COUNTING DIAL



DECIMALS: XXXX ±.0005 XXX ±.005 XX ±.01 ANGLES: ± 5 DEGREE THIRD ANGLE PROJECTION	DRAWN	JV	8-19-16	TITLE: Mi-Wave Millimeter Products Inc. SIZE DWG. NO. A 520U OUTLINE_25485 SCALE: 1:1	REV SHEET 1 OF 1
	CHECKED	MS	8-19-16		
	ENG	MS	8-19-16		
	MATERIAL: _____				
WEIGHT:					