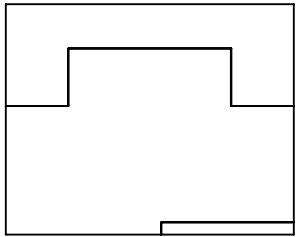
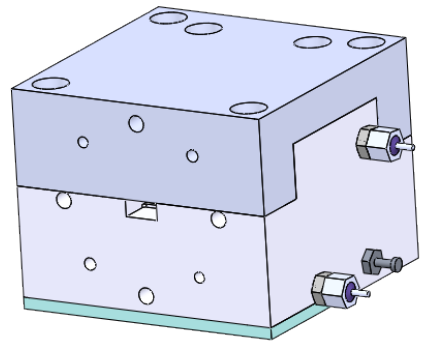


| REVISIONS | | | |
|-----------|-------------|------|----------|
| REV | DESCRIPTION | DATE | APPROVED |
| -- | -- | -- | -- |

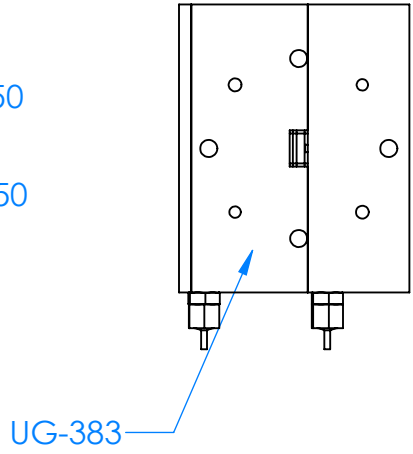
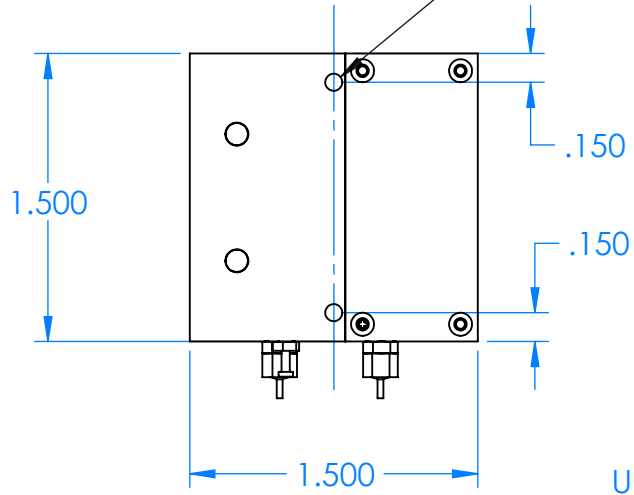
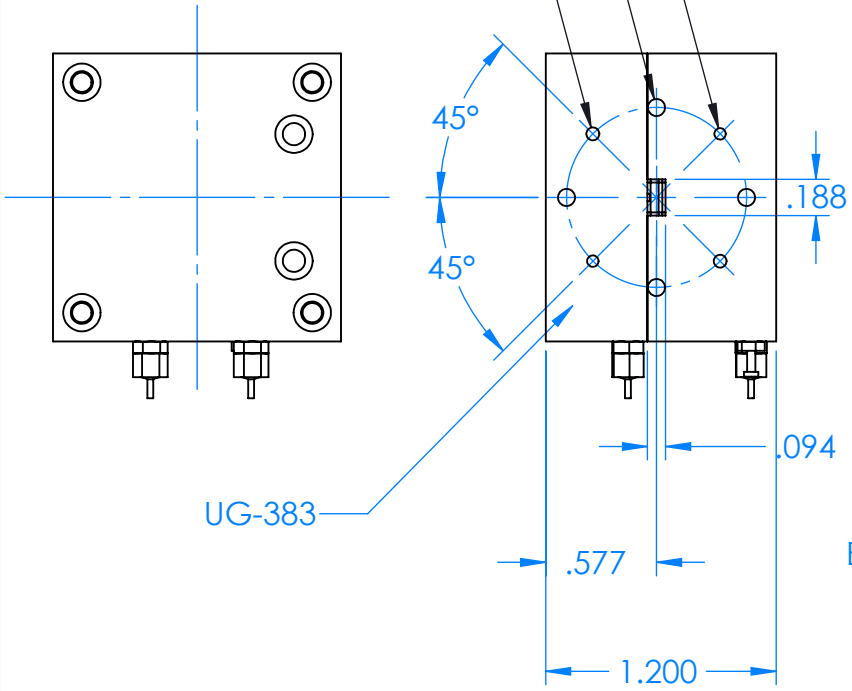


MOUNTING HOLES
 2X ϕ .089 ∇ .275
 4-40 UNC ∇ .250

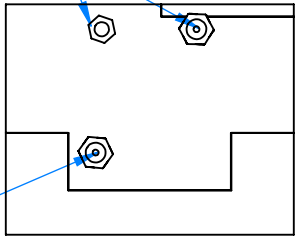


4X ϕ .089 ∇ .250
 4-40 UNC ∇ .223
 2X ϕ .060 ∇ .175

2X ϕ .067 ∇ .175



BIAS VOLTAGE



CONTROL VOLTAGE

**RECIPROCAL
 DEVICE**

| | | |
|---|-------------------------|---------|
| DECIMALS: XXXX ±.0005 XXX ±.005 XX ±.01 | NAME | DATE |
| ANGLES: ± .5 DEGREE | DRAWN CC | 10-1-21 |
| THIRD ANGLE PROJECTION | CHECKED MS | 10-1-21 |
| | ENG LS | 10-1-21 |
| | MATL: | |
| | 6061 T6 ALUMINUM | |

| | | |
|--|---------------------------|--------------|
| TITLE: Mi-Wave Millimeter Products Inc. | | REV |
| SIZE DWG. NO. | 900U_OUTLINE_26240 | |
| SCALE: 1:1 | WEIGHT: | SHEET 1 OF 1 |