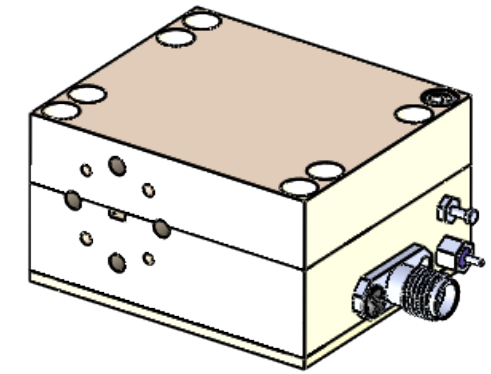
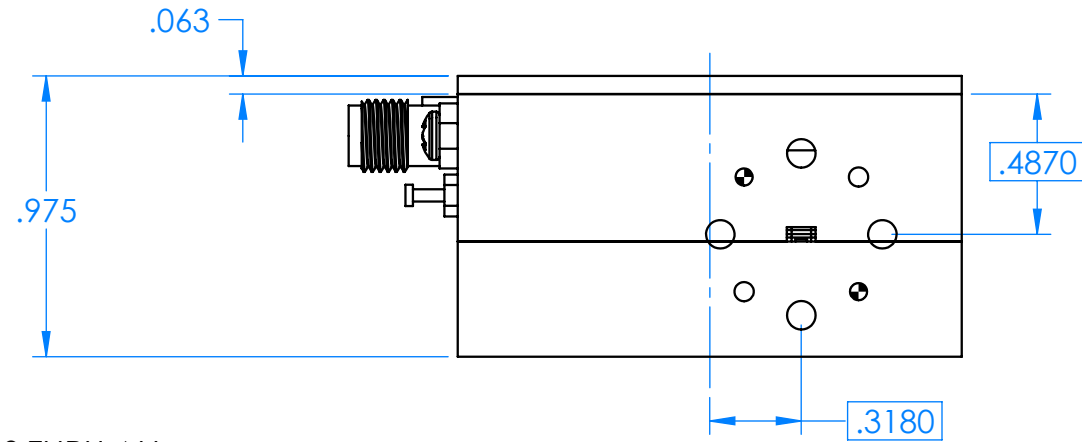
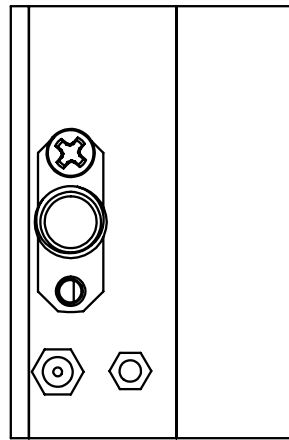


REVISIONS			
REV	DESCRIPTION	DATE	APPROVED
-	-	-	-

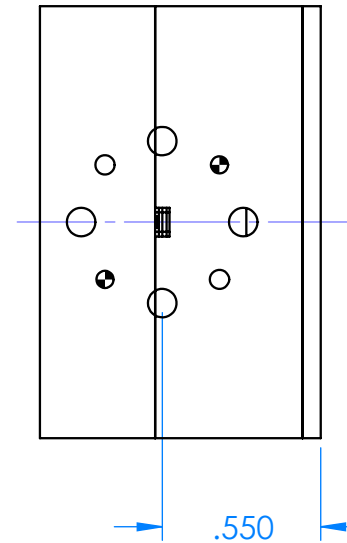
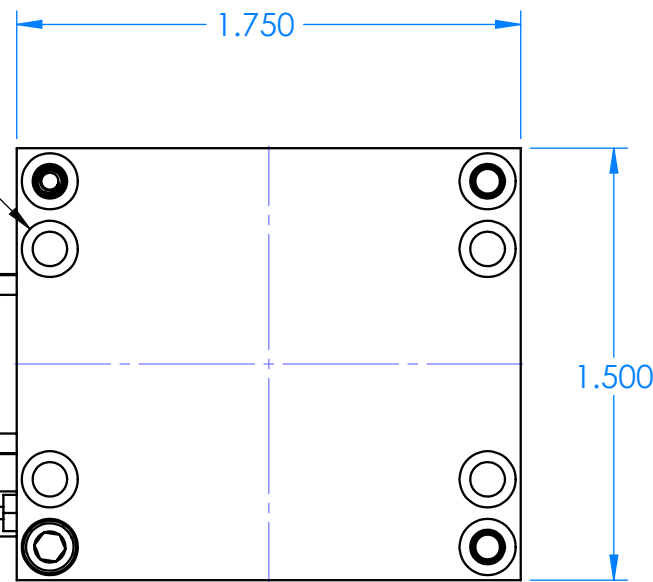


8X ϕ .120 THRU ALL
 \square ϕ .195 ∇ .116
 MOUNTING HOLES



CONTROL VOLTAGE

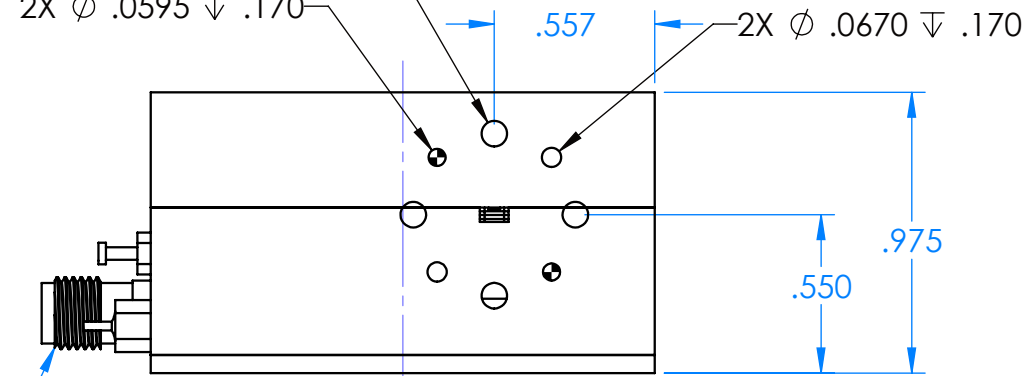
BIAS VOLTAGE



4X ϕ .089 ∇ .350
 4-40 UNC ∇ .310

2X ϕ .0595 ∇ .170

2X ϕ .0670 ∇ .170



SMA-F-JACK
 MOLEX-PN 73251-0250

RECIPROCAL DEVICE

DECIMALS: XXXX \pm .0005 XXX \pm .005 XX \pm .01	NAME CC	DATE 10-22-21	TITLE: Millimeter Wave Products Inc.	
ANGLES: \pm .5 DEGREE	DRAWN LS	10-22-21	SIZE B	DWG. NO. 900W_OUTLINE_26244
THIRD ANGLE PROJECTION	ENG LS	10-22-21	SCALE: 3:2	WEIGHT:
	MATL:			REV -
				SHEET 1 OF 1