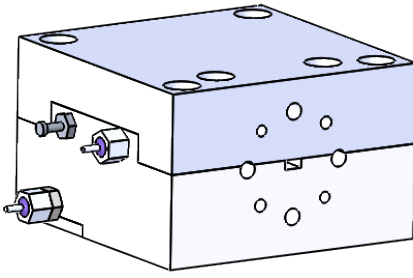
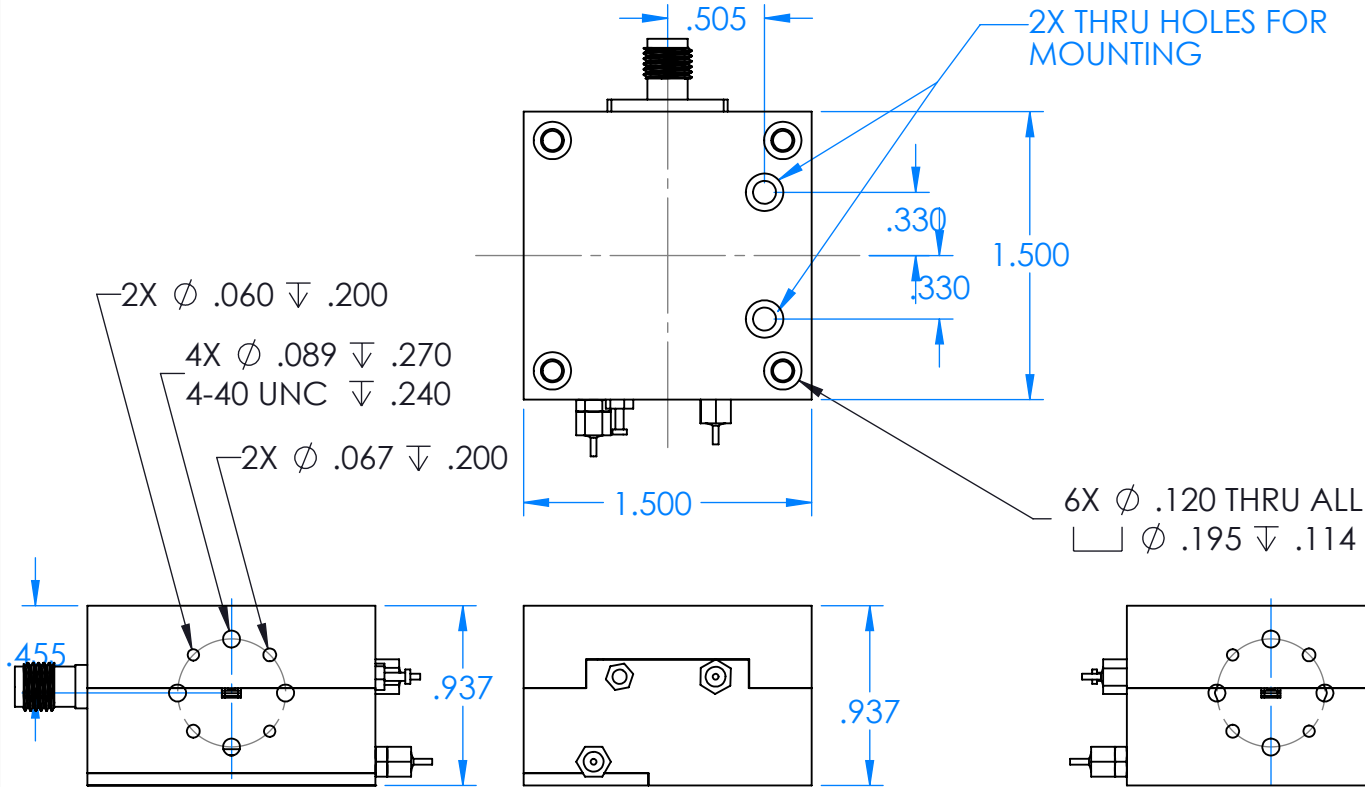
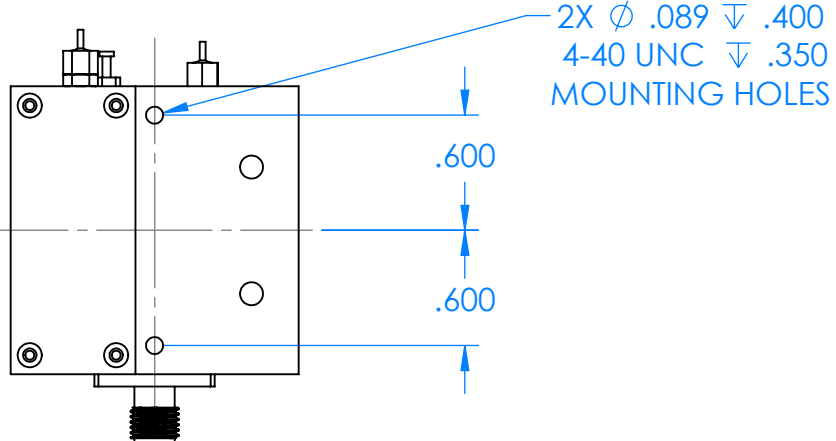


REVISIONS			
REV	DESCRIPTION	DATE	APPROVED
--	--	--	--



UG-387

UG-387



ALL DIMENSIONS ARE REFERENCE ONLY

DECIMALS: XXXX \pm .0005 XXX \pm .005 XX \pm .01	ANGLES: \pm .5 DEGREE	THIRD ANGLE PROJECTION	NAME DRAWN JV CHECKED LS ENG LS	DATE 3-15-19 3-15-19 3-15-19
--	-------------------------	------------------------	--	---------------------------------------

TITLE: Millimeter Wave Products Inc.		REV
SIZE: A	DWG. NO. 955W-387_INLINE_OUTLINE_24620	REV
SCALE: 1:1	WEIGHT:	SHEET 1 OF 1