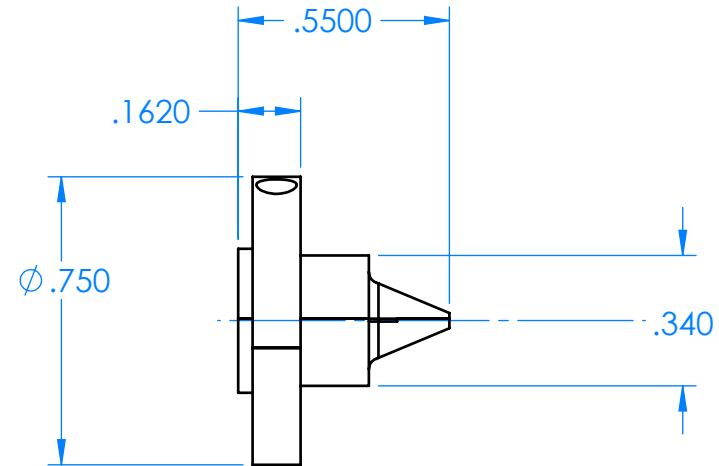
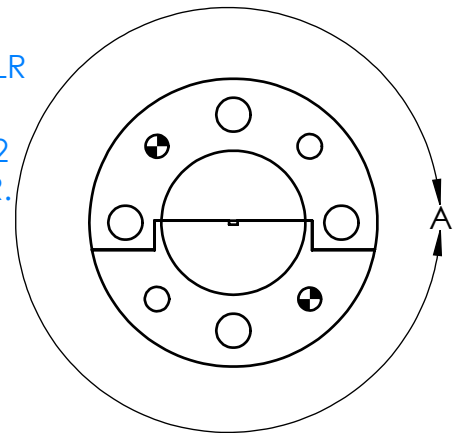
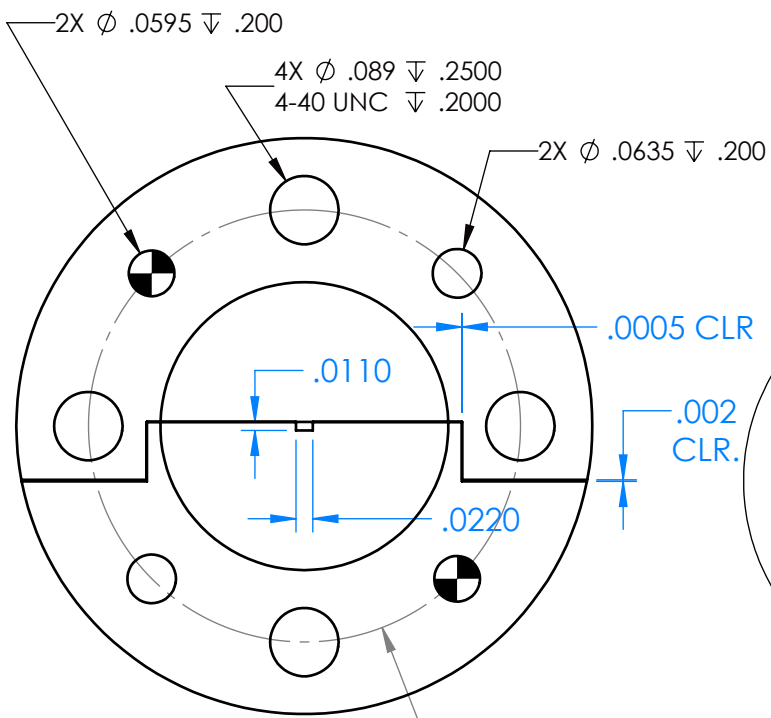
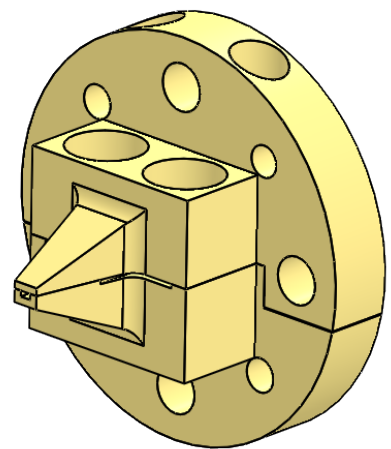
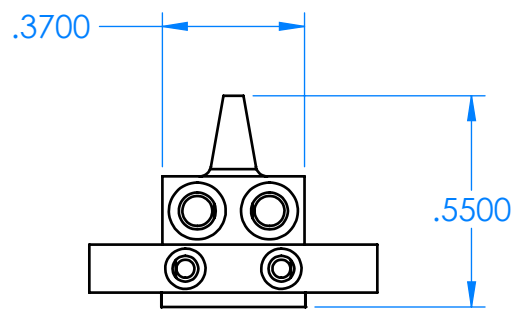
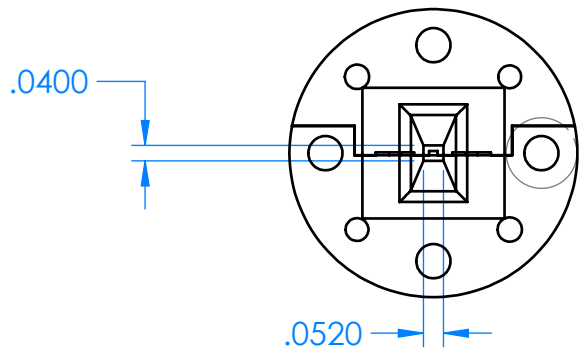


REVISIONS			
REV	DESCRIPTION	DATE	APPROVED
-	-	-	-



DETAIL A
SCALE 4 : 1

DECIMALS: XXXX \pm .0005 XXX \pm .005 XX \pm .01 ANGLES: \pm .5 DEGREE	DRAWN CC CHECKED MS ENG LS	NAME DATE CC 9-13-21 MS 9-13-21 LS 9-13-21	TITLE: Millimeter Wave Products Inc.
THIRD ANGLE PROJECTION	MATL: 1/2 HARD BRASS	SIZE DWG. NO. A ANTENNA PROBE_WR-2.2_387_OUTLINE_26140	REV -
SCALE: 2:1		WEIGHT:	SHEET 1 OF 1