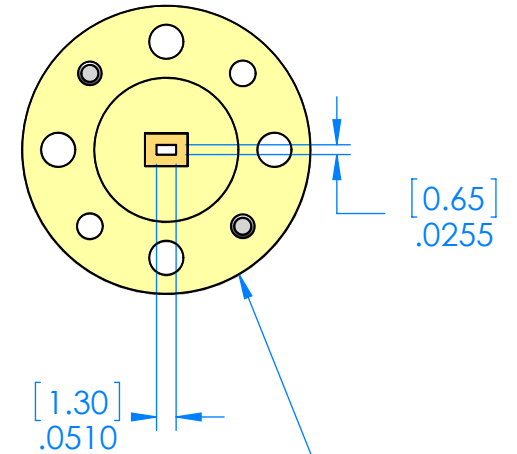
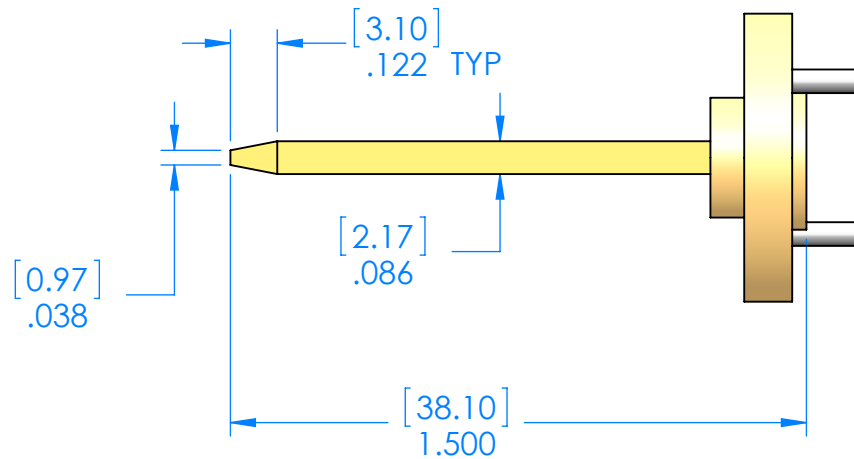
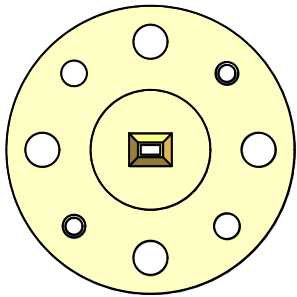
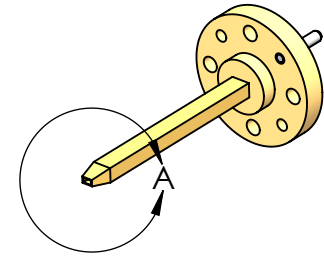
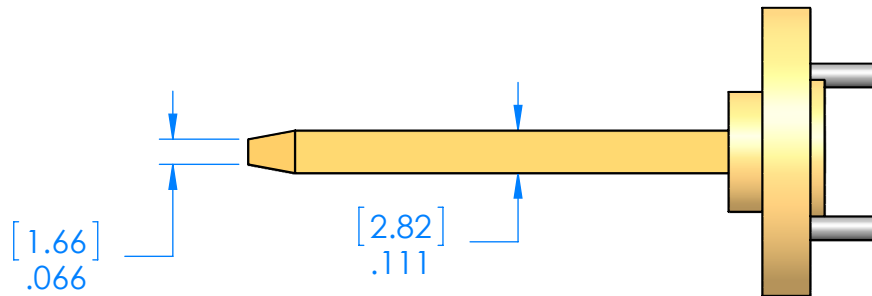


DETAIL A
SCALE 6 : 1



UG387



DECIMALS: XXXX ±.0005
XXX ±.005
XX ±.01
ANGLES: ± .5 DEGRESS

THIRD ANGLE
PROJECTION



DRAWN	JV	6-25-14
CHECKED	MS	6-25-14
ENG	MS	6-25-14

MATL:
-

TITLE:

Mi-Wave Millimeter Products Inc.

SIZE

DWG. NO.

WR-05 PROBE OUTLINE_22906

REV

SCALE: 1:1

WEIGHT:

SHEET 1 OF 1