

[Products] you can identify with



Adept 360

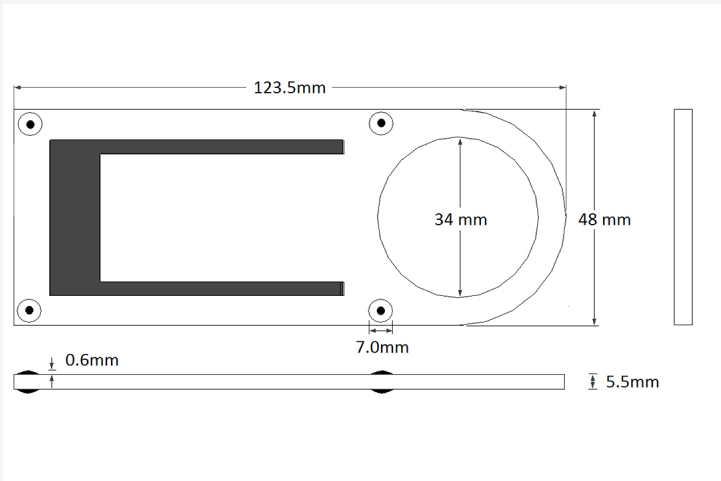
The Omni-ID Adept 360° is a UHF RFID tag for the most harsh environmental applications. The tag is encased in an industrial steel frame with a tether attachment designed to meet the needs of oil and gas users and other heavy industry applications. The Omni-ID 360° is available with a range of options including a surface etching/printing finishing option and a dual technology option.



Physical Specifications

Material	Steel frame
Size	136.5 x 48 x 5.5 (+/- 1) mm, 5.4 x 1.9 x 0.217 (+/-0.04) in
Weight (g)	126
Attachment	Tether hole

Dimensions



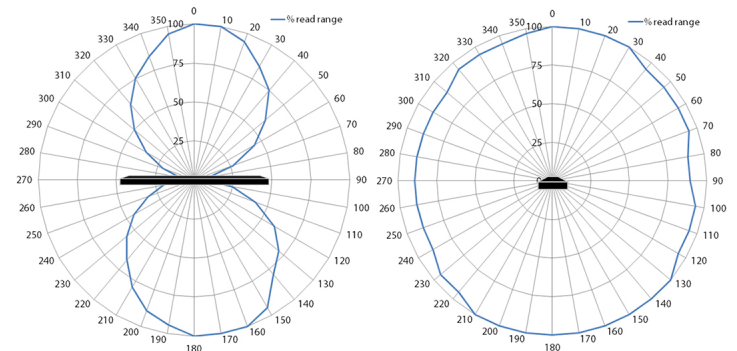
Measurements shown in mm

RF Specifications

Radio Protocol	EPC Class 1 Gen2v2, ISO 15693 (option)
Frequency Range	860 - 930 (GS)
Read Range - Fixed Reader	Up to 10m (32.8 feet)
Read Range - Handheld Reader	Up to 5m (16.5 feet)
IC Type (Chip)	Alien Higgs 3
Memory	EPC - 96 bits User - 512 bits Unique TID - 64 bits

EPC and User memory are reprogrammable. UTID is locked at point of manufacture by IC manufacturer.

Radiation Patterns



[Products] you can identify with



With its steel framework, 360° read angle and long read range the Omni-ID Adept 360° is ideal in heavy industry applications for tracking:

- Slings
- Heavy machinery
- Shackles

Certifications

CE, RoHS, ATEX/IECEX certified (option), US&Canada (C1D1/D2) certified (option)



Environmental Specifications

Long term Max Temperature exposure	+120°C
Short term Max Temperature exposure	+140°C
IP Rating	IP68
Shock & Vibration Tolerance	MIL-STD-810 F
Impact	25kg from 1m

Ordering Information

Warranty	1 year
Product Options	:304 (ATEX/IECEX certified) :305 (HF module) :307 (US&Canada (C1D1/D2) certified) :704 (Single side print) :705 (Double side print)
Part Number / Order Codes / Order Numbers	CP08494-01, CP08855-01

For product or technology inquiries email: sales@omni-id.com.
Visit omni-id.com to learn more about the complete line of **Omni-ID RFID** products